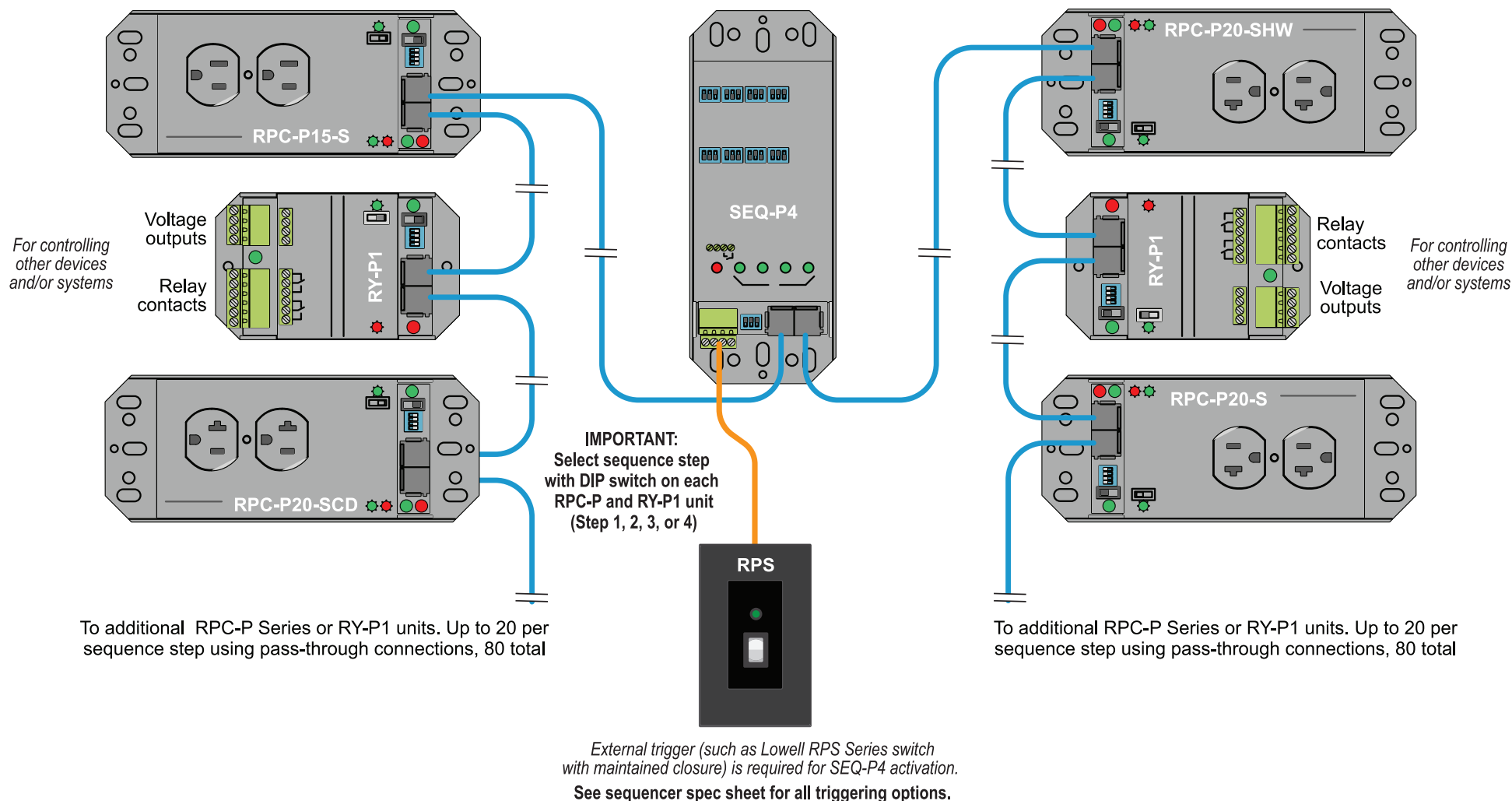


**APPLICATION
DIAGRAM A**

Sequencer (SEQ-P4) used to trigger other pass-through connection devices
 SEQ-P4 sequencer can theoretically control up to 80 RPC-P Series and/or RY-P Series units (pass-through connections)

RECOMMENDED APPLICATION



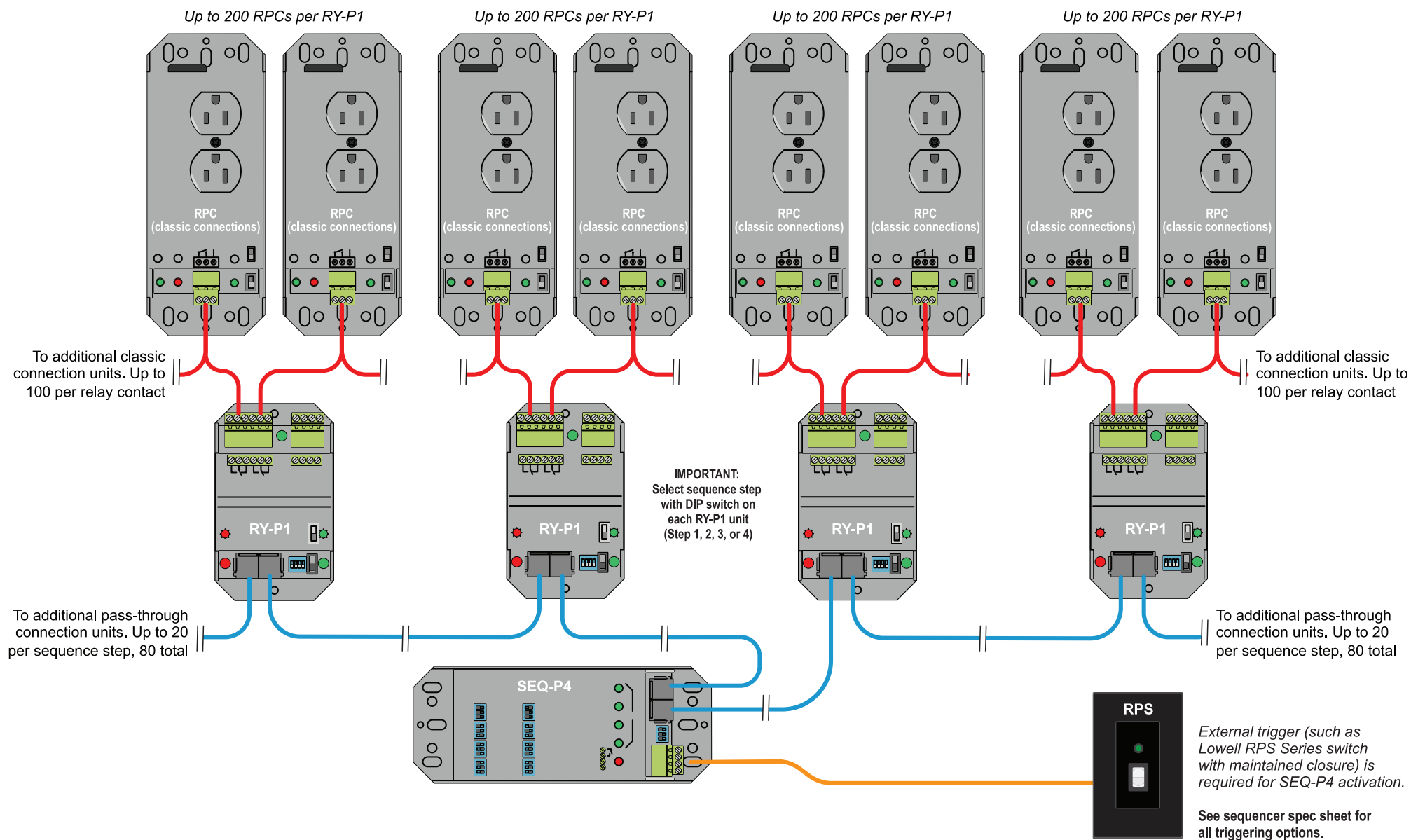
NOTE: All "P" series models have two (2) parallel connected pass-through RJ45 jacks. Units may be connected in any order, in any location.

— Three (3) conductor wire for maintained closure SPST switches
 Max distance: 24-ga: 20,000 ft.; 22-ga: 31,200 ft.; 18-ga: 76,800 ft.

— CAT 5/6 Cable w/ RJ45 conn.
 Max distance from sequencer to farthest RY-P1 or RPC-P unit: 5,000 ft.

**APPLICATION
DIAGRAM B**

SEQ-P4 sequencer and RY-P1 relays used to trigger RPCs with classic connections.
 SEQ-P4 with RY-P1 can theoretically control up to 16,000 (classic connection) RPC Series units



NOTE: All "P" series models have two (2) parallel connected pass-through RJ45 jacks. Units may be connected in any order, in any location.

— Three (3) conductor wire for maintained closure SPST switches
 Max distance: 24-ga: 20,000 ft.; 22-ga: 31,200 ft.; 18-ga: 76,800 ft.

— CAT 5/6 Cable w/ RJ45 conn.
 Max distance from sequencer to farthest RY-P1 unit: 5,000 ft.

— Two (2) conductor cable (no shield required)
 Max distance from RY-P1 to farthest RPC: 22-ga: 6,000 ft.; 18-ga: 17,000 ft.