

Model Series: UL180

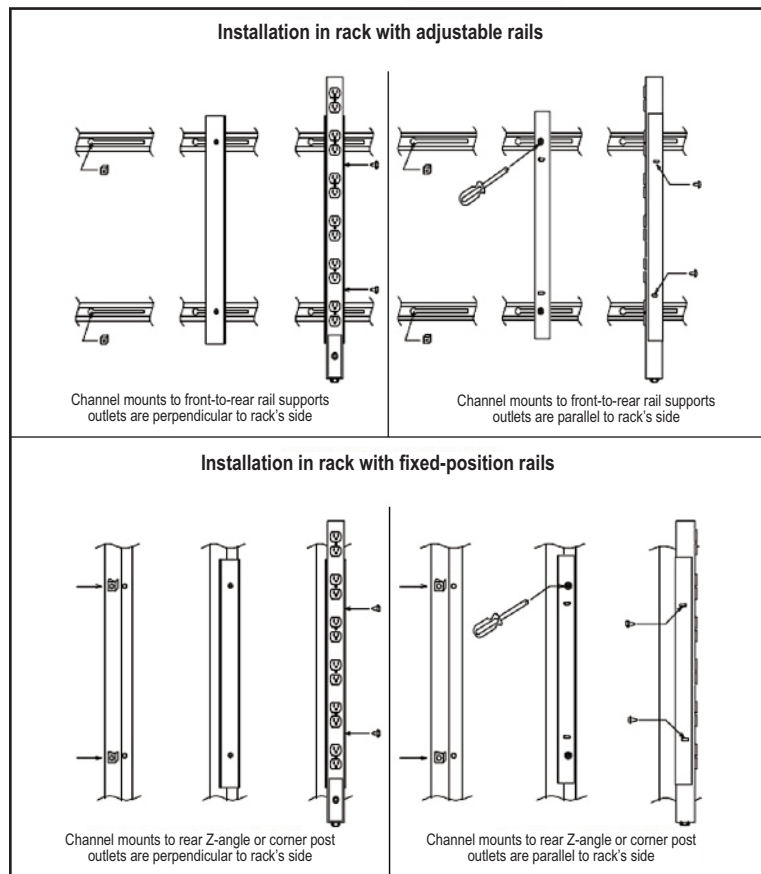
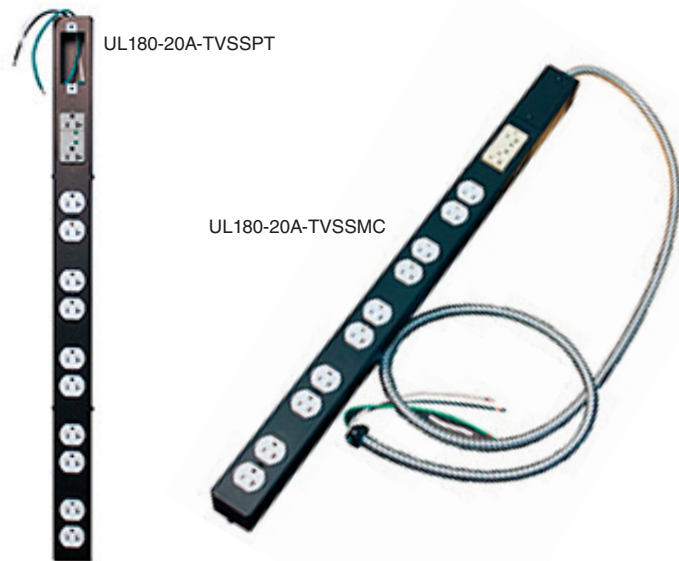
Hardwired power strips for installation in racks and cabinets provide convenient access to power without utilizing front rack space. The power strip is a narrow 30"L x 2"W x 2"H and includes a separate mounting channel for versatile installation in racks with adjustable or fixed mounting rails, allowing the power strip to be positioned with outlets perpendicular or parallel to the rack's side.

Features:

- Six (6) duplex outlets with power rating of 20A 125 VAC
- Built-in common mode (L-G, L-N, N-G) transient voltage surge suppression
- Terminates via internal pigtail leads or external 6 ft. conduit whip (see chart below)
- Separate mounting channel
- 30"L x 2"W x 2"H
- Black powder epoxy finish
- UL Listed under Standard UL5

A&E Specifications:

UL Listed power strip shall be Lowell Model No. _____ with 20A power rating. The strip shall have a steel chassis with black powder epoxy finish and measure 30" x 2" x 2". It shall feature six duplex outlets and built-in common mode transient voltage surge suppression. Termination shall be via _____ (pigtail leads or 6 ft. conduit whip).



Model Numbers:

Model No.	Description	Outlets	Power Rating	Surge Suppression*	Chassis	Termination
UL180-20A-TVSSMC	Hardwired power strip	6 Duplex	20A, 125 VAC	TVSS	30" x 2" x 2"	6 ft. conduit whip
UL180-20A-TVSSPT	Hardwired power strip	6 Duplex	20A, 125 VAC	TVSS	30" x 2" x 2"	pigtail leads

* Common mode (L-G, L-N, N-G) surge suppressor for transient voltage meets UL1449 for suppression; UL1283 for noise filtering.