

ACTIVATE EQUIPMENT from a SINGLE LOCATION

SEQUENCERS, REMOTE POWER CONTROLS & RELAYS

w/pass-through connections



Lowell.TM

www.lowellmfg.com

Why Add Power Sequencing?

CONVENIENT:

One switch can activate all connected equipment, whether located on-site or at remote locations.

CORRECT STARTUP SEQUENCE:

Activating equipment in the wrong order can cause speaker pops and crackles, as well as operating issues with sensitive electronics. A sequencer ensures equipment is powered in the right order, every time. It also deactivates equipment in reverse order.



REDUCE INRUSH CURRENT:

Activating a lot of equipment simultaneously can cause an inrush current surge that's hard on electrical systems, at times causing circuit breakers to trip. A sequencer allows equipment to be organized into groups that start sequentially in a series of steps, with a slight pause added between each step so systems activate smoothly.

Why Choose Lowell's Pass-through Sequencing System?

FASTER, EASIER INSTALLATION:

Lowell's pass-through devices, which include compatible sequencers, remote power controls and relays, are made for use with CAT5/6 cable with RJ45 jacks—a much faster way to make connections than older wiring methods.

Lowell's pass-through remote power controls and relays are designed to connect directly to each other. Only the first device is connected to the sequencer, which is much easier than wiring every device directly to the sequencer.

CHANGEABLE — WITHOUT RE-WIRING:

Each pass-through device has its own step selector (DIP switch) onboard so you can change the device's position in the start-up/shut-down order with the flip of a switch—there's no need for re-wiring at the sequencer!

Cables with RJ45 jacks make it easier to add or update equipment.

SCALABLE:

Connect multiple remote power controls or relays to each of the four sequencer steps.

Maximum distance from the sequencer to the farthest remote power control device is 5,000 ft.

VERSATILE:

Remote power controls are available for 15A, or 20A equipment. Outlet types include NEMA 5-15R, or 5-20R.

Relays can be used for equipment requiring a DC voltage trigger—5VDC, 12VDC or 24VDC (up to 500mA total).

Pass-through System Devices

SEQ-P SERIES SEQUENCERS:



SEQR-P4: 19" rackmount 4-step sequencer with built-in activation switch can also accept an external switch or DSP connection.

SEQ-P4: Compact 4-step standalone sequencer can be placed just about anywhere. NOTE: *This unit requires an external trigger for activation (SPST switch, voltage input from DSP connection, or control system that provides a dry contact closure).*



EXTERNAL SPST SWITCHES (RPS SERIES):

RPSB-P: Rocker switch with maintained closure and black wall plate (No. RPSW-P for white wall plate), TS (3 wire) connections

RPSB-R: Rocker switch with maintained closure mounted in 19 inch rack panel, TS (3 wire) connections



RPSW-KP: Key switch with maintained closure in white wall plate, TS (3 wire) connections



RELAYS:

RY-P1: (5A) One DPDT relay with power supply.



Made in the USA with US and global components.

RPC-P SERIES REMOTE POWER CONTROLS:

RPC-P15-S: 125VAC 15A remote control device with 5-15R duplex outlet, 5-15P cord, surge suppression

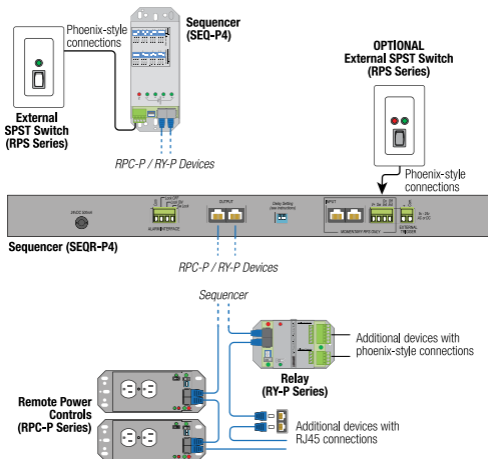


RPC-P20-SCD: 125VAC 20A remote control device with 5-20R duplex outlet, 5-20P cord, surge suppression

RPC-P20-SHW: 125VAC 20A remote control device with 5-20R duplex outlet, flexible whip (hardwired), surge suppression



BASIC CONFIGURATION: see specs for details





Visit www.lowellmfg.com
for more information



LOWELL MANUFACTURING COMPANY
100 Ingram Drive, Pacific, MO 63069 USA
800-325-9660 | 636-257-3400
www.lowellmfg.com | sales@lowellmfg.com

©2026

PT0126-BR-DIGI