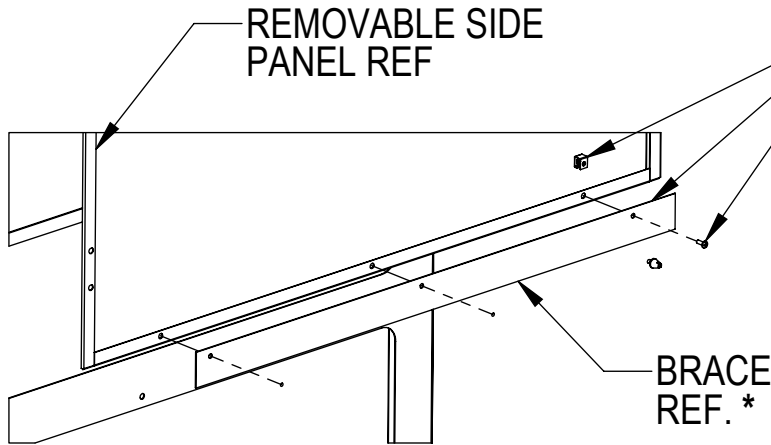


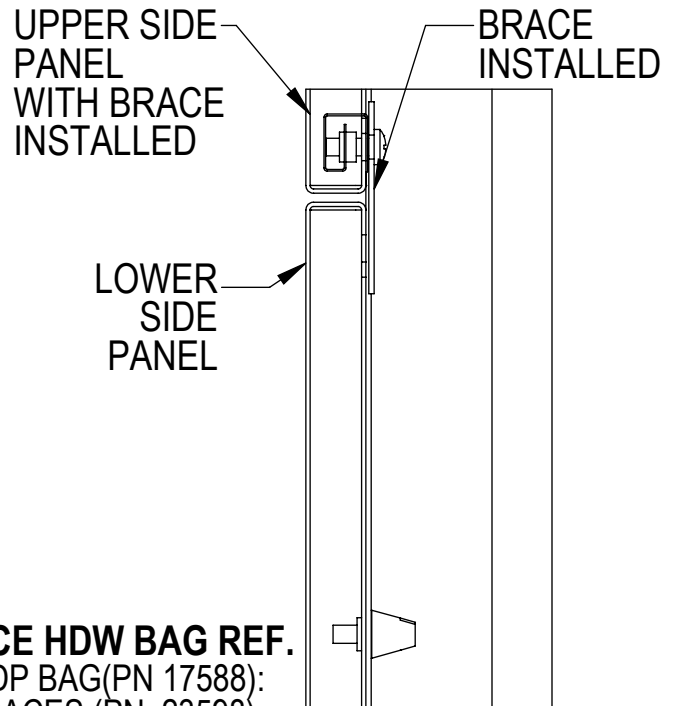
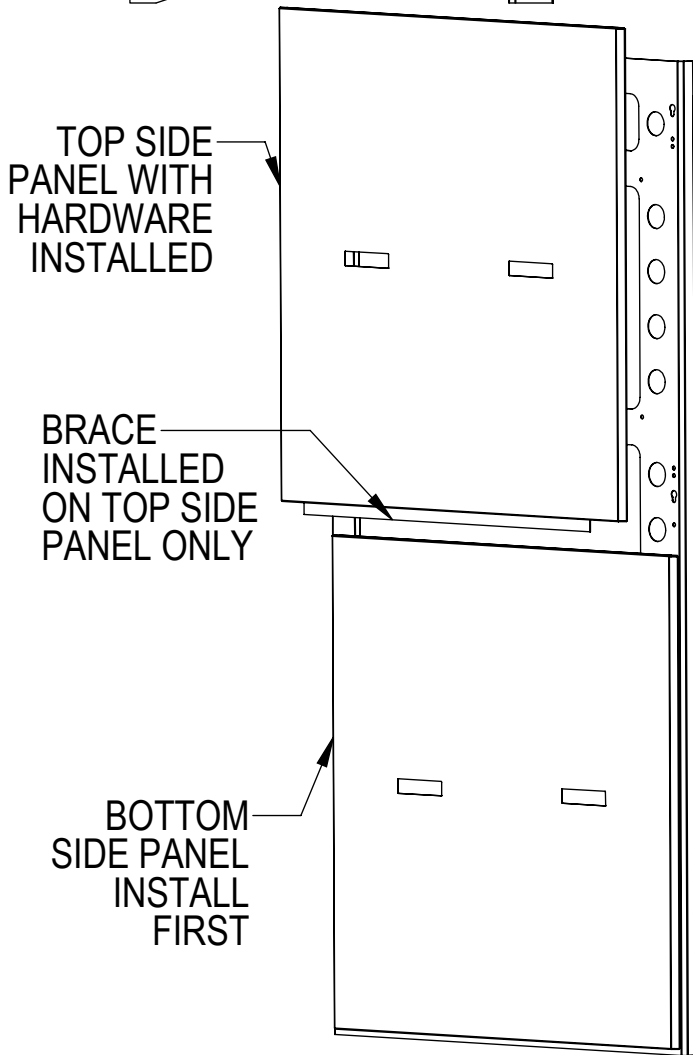
**SDP SERIES SIDE PANEL INSTALL INSTRUCTIONS
(SPLIT VERSION REF. SHOWN 32" 36" & 42" DEEP)**



OPTION 1:
SLIDE 10-32 CLIP OVER (3) HOLES ON BOTTOM FLANGE.

ALIGN BRACE WITH HOLES & ATTACH WITH (3) 10-32 SCREWS

OPTION 2:
SAME AS ABOVE
USE LOWER SIDE PANEL



BRACE HDW BAG REF.

42" SDP BAG(PN 17588):
(2) BRACES (PN: 23598)
(6) 10-32 CLIPS (PN: 13526)
(6) 10-32 SCREWS (PN:3866)

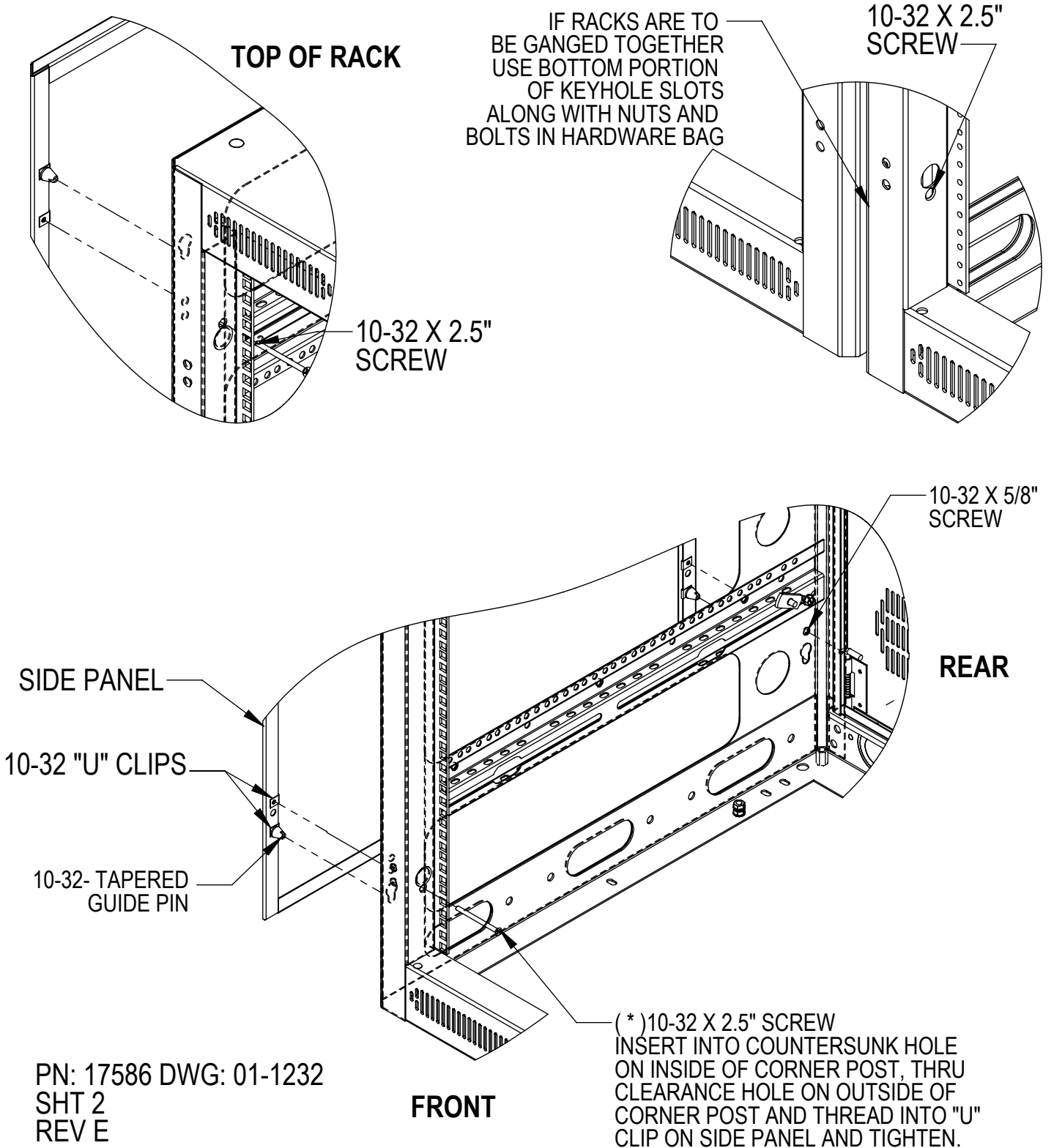
36" SDP BAG(PN 23625):
(2) BRACES (PN: 22269)
(6) 10-32 CLIPS (PN: 13526)
(6) 10-32 SCREWS (PN:3866)

32" SDP BAG(PN 23624):
(2) BRACES (PN: 22268)
(6) 10-32 CLIPS (PN: 13526)
(6) 10-32 SCREWS (PN:3866)

PN: 17586 DWG: 01-1232 SHT 1
REV E

* Not Needed on 40u racks

**SDP SERIES SIDE PANEL INSTALL AND GANGING INSTRUCTIONS
(SPLIT VERSION REF. SHOWN 32" 36" & 42" DEEP)**



PN: 17586 DWG: 01-1232
SHT 2
REV E