

POWER/CABLE MGMT BRACKET LXR/LVR/LDR/LCDR TYPE OF RACKS (2U BRACKET 6" DEEP WITH 5" SLOTS)

PCMB-6 CONTENTS:

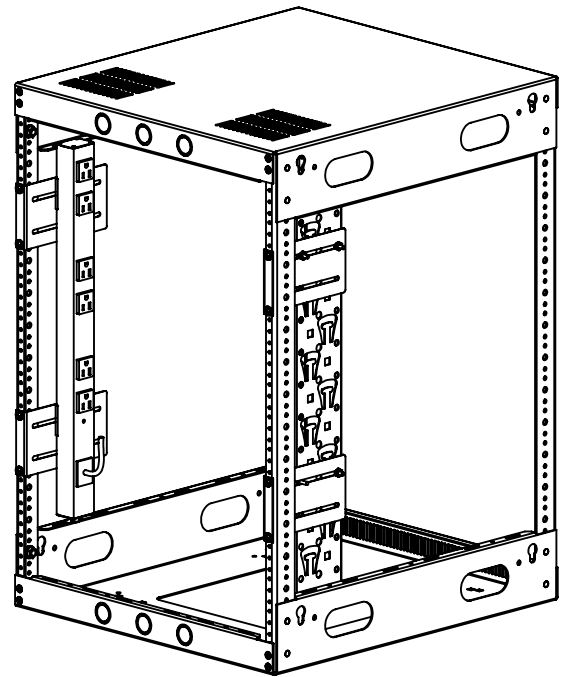
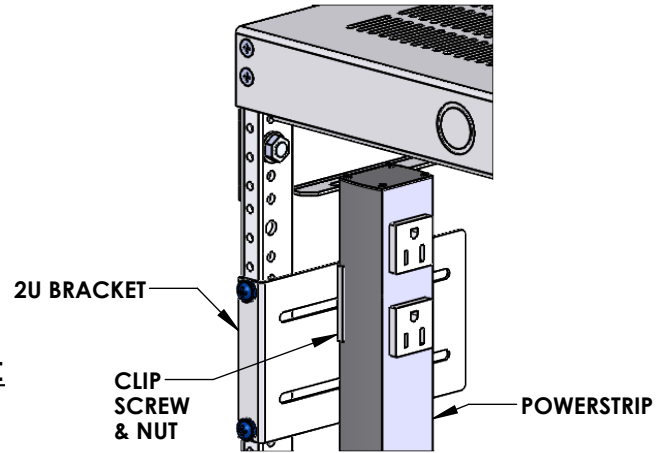
- (2) 2U MOUNTING BRACKETS
- (4) 10-32 x 3/4" RACK SCREWS
- (4) 10-32 x 1/2" SCREWS
- (4) 10-32 KEPS NUT

POWERSTRIP:

ATTACH (2) MOUNTING BRACKETS TO RAIL WITH (4) 10-32 X 3/4" RACK SCREWS.

ATTACH POWERSTRIP TO BRACKETS (CLIP STYLE SHOWN):

OPEN HARDWARE BAG WITH POWERSTRIP. REMOVE (2) MOUNTING CLIPS, SCREWS & NUTS. SECURE (1) CLIP TO EACH BRACKET. INSTALL STRIP INTO EACH CLIP. WIRE TIE STRIP TO BRACKETS.



1/2" SCREW

2U BRACKET

MANAGER

VERTICAL CABLE MANAGER:

ATTACH (2) MOUNTING BRACKETS TO RAIL WITH (4) 10-32 X 3/4" RACK SCREWS.

MOUNTING THE MANAGER TO THE BRACKETS:

ATTACH WITH (4) 10-32 X 1/2" SCREWS & KEPS NUT (2 ON EACH BRACKET)

INSTALL SHEET-MODEL PCMB-6

TYPICAL LOWELL POWER STRIP MOUNT STYLES - CLIP OR BRACKET

- PCMB-6 CONTENTS:**
(2) 2U MOUNTING BRACKETS
(4) 10-32 x 3/4" RACK SCREWS
(4) 10-32 x 1/2" SCREWS
(4) 10-32 KEPS NUT

TO ATTACH POWERSTRIPS:
USE MOUNTING HARDWARE SHIPPED
WITH POWERSTRIPS EXCEPT AS
SHOWN BELOW:

UNIVERSAL BRACKET
LONG STRIP

