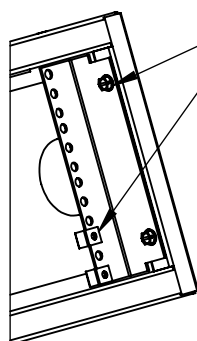
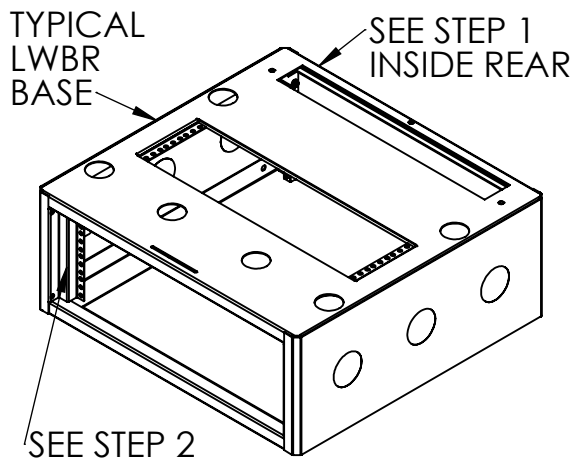
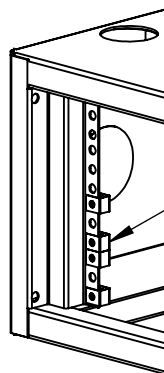


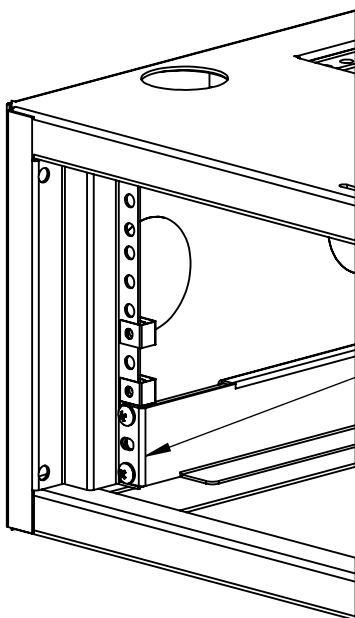
INSTALL SHEET FOR LWBR BASE REAR RAIL KIT FOR 2U UPS (STEPS 1 THRU 3 DONE BEFORE LWBR IS ASSEMBLED)



STEP 1
INSTALL (2) REAR SUPPORT RAILS WITH (4) 1/4-20 SELF TAPPING SCREWS. THEN ATTACH (4) 10-32 BASKET NUTS AS SHOWN IF USING LOWER 2U SPACE.



STEP 2
ATTACH (8) 10-32 BASKET NUTS TO FRONT FLANGES AS SHOWN HERE HERE IF USING LOWER 2U SPACES



NOTE: PRIOR TO STEP 3 HAVE THE 4 POINT RAIL KIT AVAILABLE THAT IS SHIPPED WITH THE 2U UPS

STEP 3
UNPACK THE 4 POINT RAIL KIT AND INSTALL PER INSTRUCTION SHEET. USE (8) 10-32 SCREWS TO ATTACH TO LWBR BASE.

