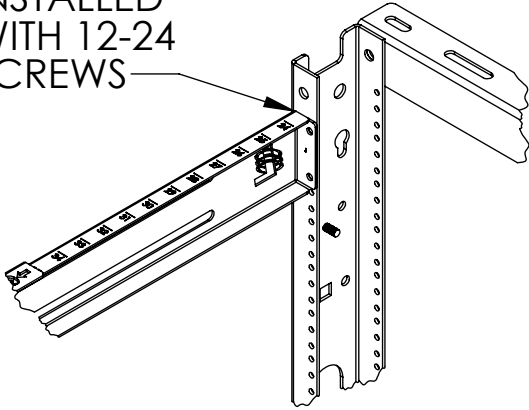


Install:
NR4PA-4536 & NR4PA-4542

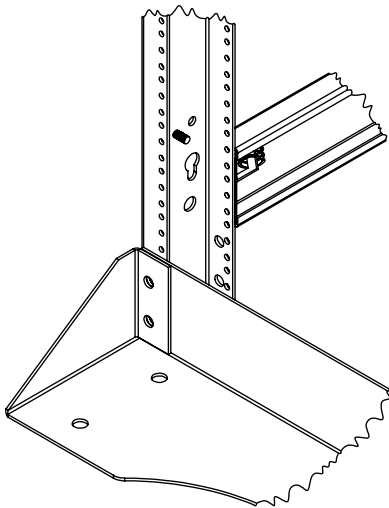
6X
EXTENSIONS
INSTALLED
WITH 12-24
SCREWS



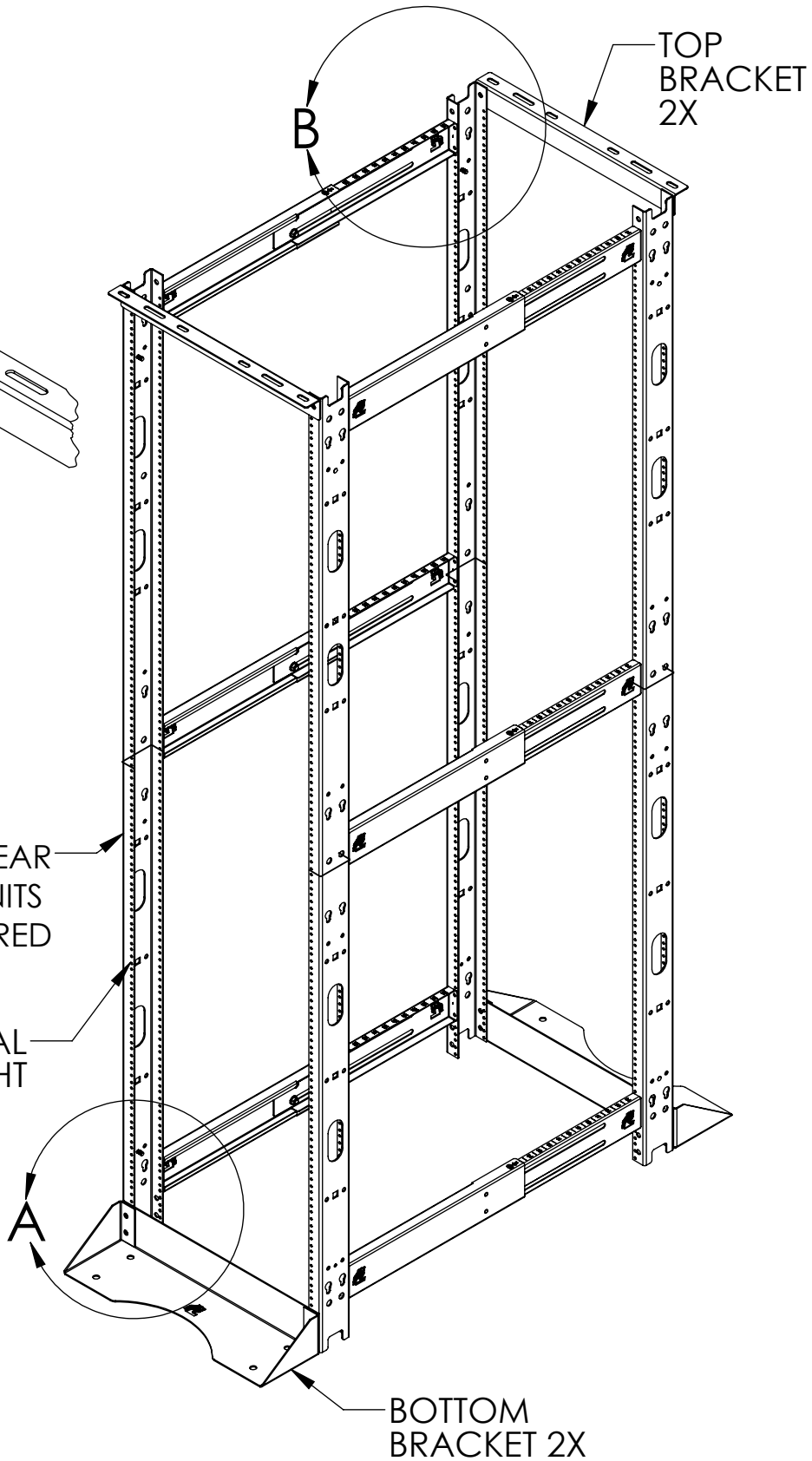
DETAIL B
SCALE 1 : 6

FRONT AND REAR
RACK UNITS
NUMBERED

VERTICAL
UPRIGHT



DETAIL A
SCALE 1 : 6



PN: 25520 rev a

STATIC CAPACITY 800 LBS.