

Series No.

# P1X Series

Surface-mount wall box

Overall Height: 4.63" [118]  
 Overall Depth: 2.50" [64]  
 Overall Width: 2.88" [73], 4.63" [118], 6.44" [164]



SURFACE-MOUNT WALL BOXES deliver clean installation, dependable strength, and a professional finish in one compact solution. They provide a secure, surface-mounted option for standard and decora-style devices in 1-, 2-, and 3-gang configurations. Designed for straightforward installs and long-term reliability, the P1X Series provides a simple, sturdy solution that looks sharp on any surface.

## CONSTRUCTION

**MATERIAL:** USA-certified, 20-gauge steel

**FRONT:** Front flanged holes conform to standard and decora-style wall plate mounting hole centers. Front opening has a 2.88" height clearance for devices going into the box.

**KNOCKOUTS:** Four or five 1/2" knockouts (model dependent), see chart below.

**FINISH:** White powder coat

**HARDWARE:** 6-32 U-clips

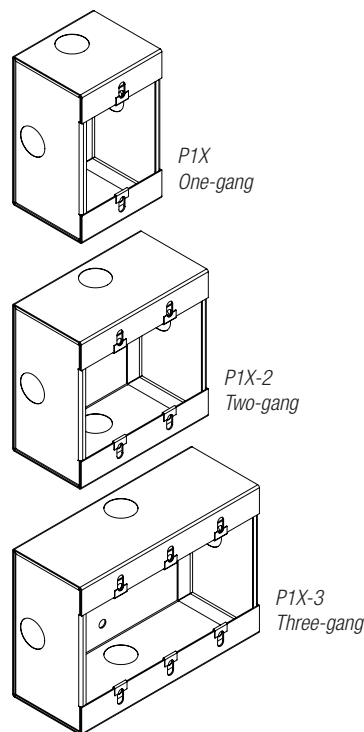
**COMPLIANCE:** Trade Agreements Act (TAA) compliant, Buy American Act (BAA) compliant

**ORIGIN:** Made in USA

## A&E SPECIFICATIONS

The surface-mount wall box shall be Lowell Model \_\_\_\_\_ (P1X / P1X-2 / P1X-3), which shall be constructed of 20-gauge, USA-certified steel with white powder-coat finish. The 4.63"H x 2.5"D x \_\_\_\_\_"W (2.88" / 4.63" / 6.44") \_\_\_\_\_-gang (one / two / three) box shall feature \_\_\_\_ (4 / 5) knockouts and front flanged holes that conform to standard wall plate centers and hardware. It shall have a front opening with a 2.88" height clearance for devices mounting inside the box. The box shall be made in the USA and include 6-32 U-clips. It shall be TAA and BAA compliant.

## CONFIGURATIONS



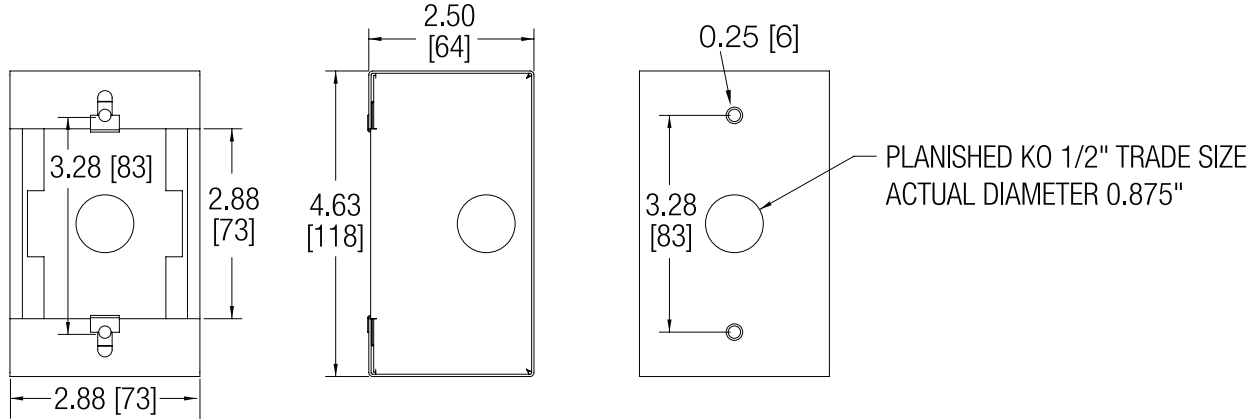
## P1X SERIES SUMMARY

Model No.	Description	Construction	Finish	Overall Box Height	Overall Box Width	Overall Box Depth	Knockouts	Front Opening Height	Wall Plate Fit
P1X	Surface-mount steel wall box, 1-gang	Steel	White	4.63"	2.88"	2.5"	4	2.88"	standard / decora-style
P1X-2	Surface-mount steel wall box, 2-gang	Steel	White	4.63"	4.63"	2.5"	5	2.88"	standard / decora-style
P1X-3	Surface-mount steel wall box, 3-gang	Steel	White	4.63"	6.44"	2.5"	5	2.88"	standard / decora-style

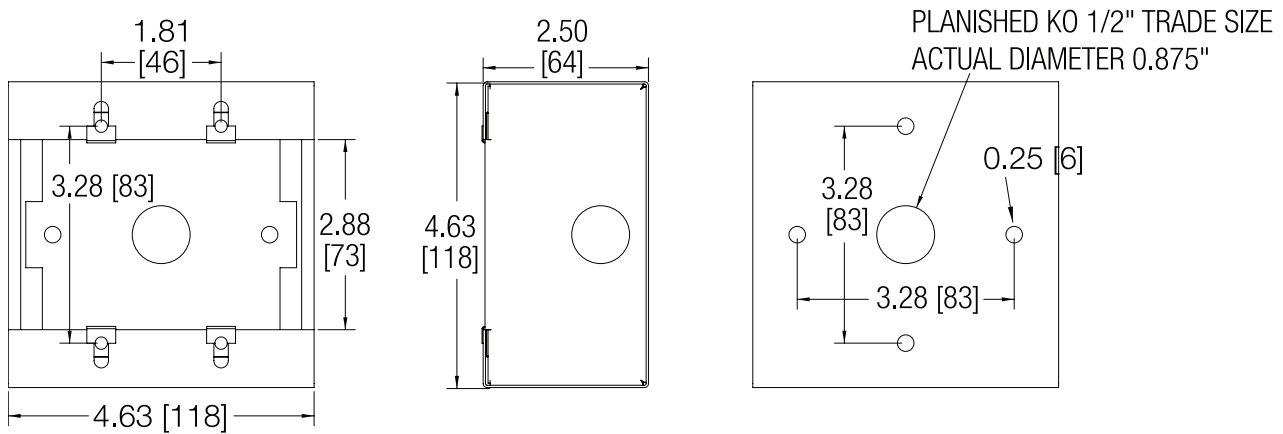
## TECHNICAL DRAWINGS

Dimensions are inches and [mm] unless stated otherwise.

### P1X



### P1X-2



### PIX-3

