

CMT Series

Cable Management Trough for DAT Series Racks



Overall Height: 9.00" [229]
 Overall Width: 14.49" [368]
 Overall Length: 22.25" [565] , or 29.25"[743]

CABLE MANAGEMENT TROUGH mounts directly to the top panel of Lowell DAT Series racks. When multiple racks are installed side-by-side, troughs align to form a continuous external routing pathway for cabling. This design reduces cable stress, maintains cleaner internal rack pathways, and supports structured cabling outside of racks. The toolless mounting system enables fast installation and secure support without additional hardware.



FEATURES

MATERIAL: 18-gauge USA-certified steel.

FINISH: Black powder-coat finish.

MOUNTING: Toolless attachment to top panel of DAT Series racks.

FUNCTION: Provides continuous overhead cable pathway when DAT Series racks are aligned side-by-side.

ORGANIZATION: Multiple tie-down points in base help secure cables in place, while knockouts on each end allow cable drops to flow into racks when needed. Strategically placed side openings allow directional cable routing in/out of the trough.

APPLICATION:

- Ideally suited for protecting data, communication, or control cables from interference and damage.
- Side-by-side rack installations requiring structured cable routing.
- Data centers, network closets, AV installations, IT infrastructure deployments.

COMPLIANCE: Trade Agreements Act (TAA) compliant, Buy American Act (BAA) compliant

ORIGIN: Made in the USA

A&E SPECIFICATIONS

The cable management trough shall be Lowell model CMT-____ (24, 31), formed from USA-certified 18-gauge steel with black powder-coat finish. It shall have overall dimensions of 9.00"H x 14.49"W x ____"L (22.25", 29.25"). The trough shall be compatible with DAT____ (24, 31) Series racks and shall mount to the top rack panel using a toolless attachment method. It shall be Made in USA, and be TAA and BAA compliant.

SERIES SUMMARY

Model No.	Description	Overall Width	Overall Height	Overall Length	Material
CMT-24	Cable management trough for DAT24 series racks	14.49 in / 368 mm	9.00 in / 229 mm	22.25 in / 565 mm	18-ga. steel
CMT-31	Cable management trough for DAT31 series racks	14.49 in / 368 mm	9.00 in / 229 mm	29.25 in / 743 mm	18-ga. steel

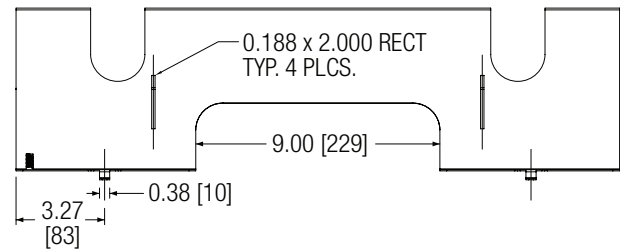
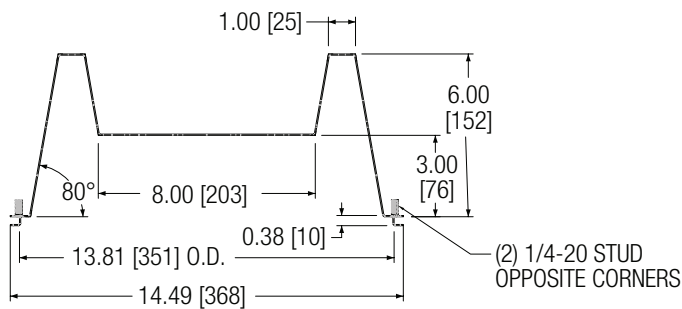
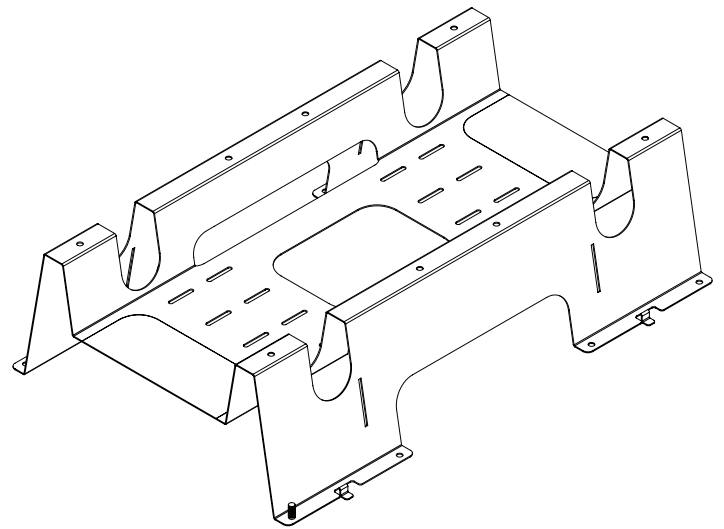
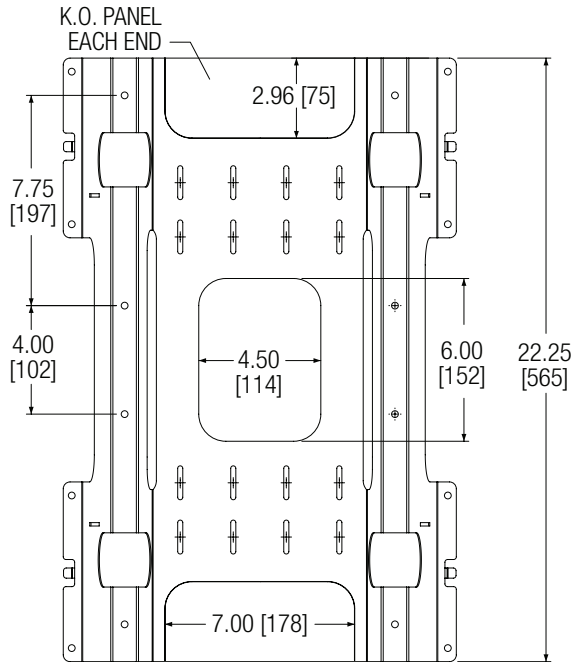
1 rack unit (RU or U) = 1.75 inches or 44.45 mm. Some measurements have been rounded.

TECHNICAL DRAWINGS

Dimensions are inches and [mm] unless stated otherwise.



MODEL CMT-24 (for DAT24 racks)

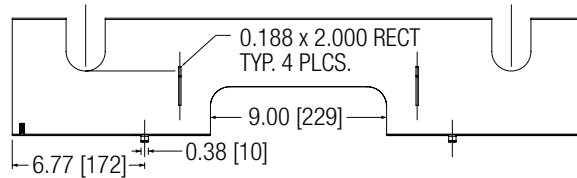
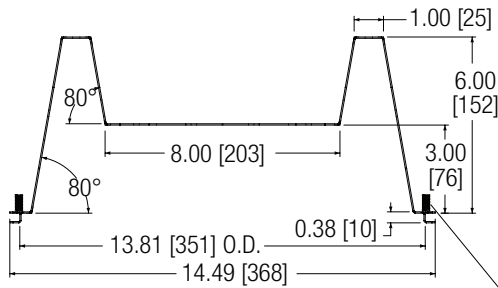
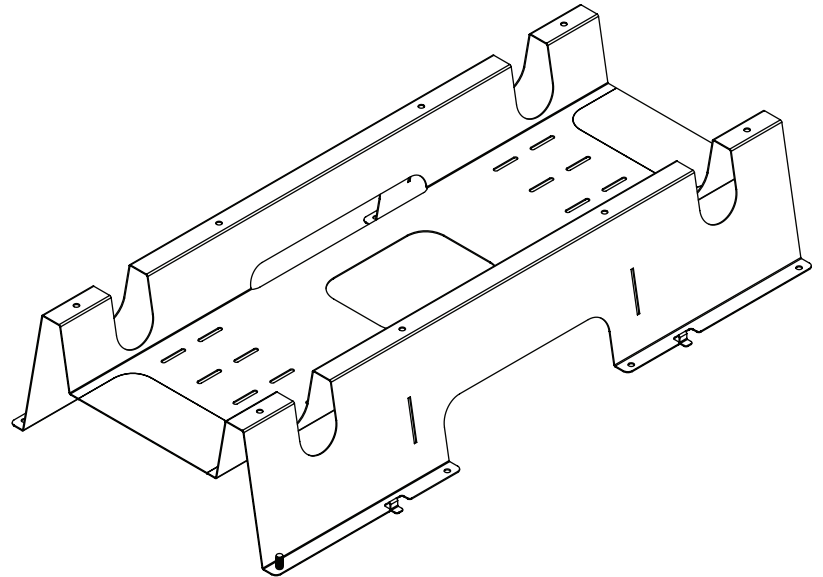
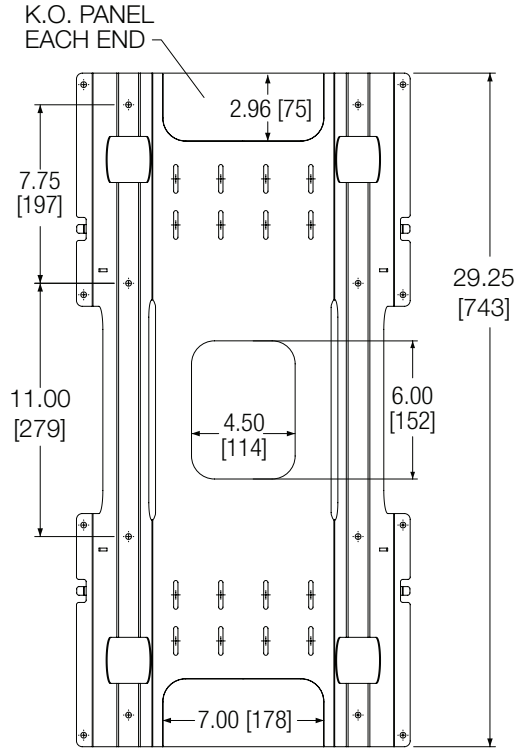


TECHNICAL DRAWINGS

Dimensions are inches and [mm] unless stated otherwise.



MODEL CMT-31 (for DAT31 racks)



(2) 1/4-20 STUD
OPPOSITE CORNERS