

LFD Series

Rack Front Door

REVERSIBLE, SURFACE-MOUNT FRONT DOOR for Lowell racks can be mounted with left- or right-hand swing. For use with Lowell rack series: LDTR, LER, LGR, LGNR, LGTR, LPR, LSER, LSGR, LWBR, LWR, LWSR.

FEATURES

CONSTRUCTION:

- USA-certified steel
- Black-textured powder-coat finish
- 20"W x 1"D
- Swings open 180-degrees
- Integral recessed handle
- Keyed lock (keyed differently than rack rear door)
- Made in the USA

MOUNTING: Mounts left or right and extends 1" from rack frame, providing 0.75" space to accommodate equipment knobs. Change orientation by moving two hinges and hinge nutserts on matching Lowell racks. Hinges install with 10-32 x 1" socket-head machine screws. Black plugs cover screws for finished appearance.

OPTIONAL: (order separately)

- Extra Keys: LK-FD (2 keys)

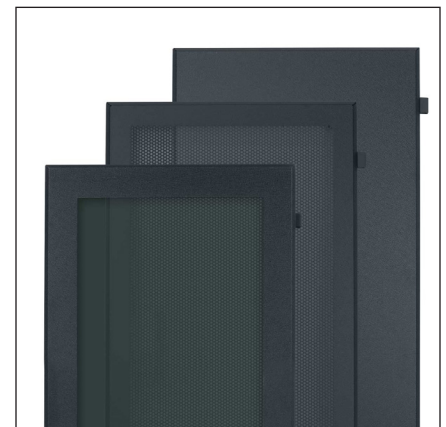
THREE STYLES: Solid steel, fully-vented steel, or steel frame with smoked plexiglass insert.

A&E SPECIFICATIONS

The rack shall include a surface-mount front door, Lowell Model _____, which shall measure 20"W x 1"D x ____ rack units. Door construction shall be _____ (solid steel, fully-vented steel, steel frame with smoked plexiglass insert). The door extend 1" from the rack frame. It shall mount with left- or right-hand swing and feature an integral recessed handle and lock, keyed differently than the rear door. The door shall be manufactured in the USA using USA-certified steel and have a black-textured powder-coat finish. It shall be Trade Agreement Act (TAA) compliant and Buy American Act (BAA) compliant.

LFD SERIES SUMMARY

Rack Height	Front Door—Solid Steel Model No.	Front Door—Fully-vented Steel Model No.	Front Door—Smoked Plexiglass Model No.
7U	LFD-7	LFD-7FV	LFD-7P
10U	LFD-10	LFD-10FV	LFD-10P
12U	LFD-12	LFD-12FV	LFD-12P
14U	LFD-14	LFD-14FV	LFD-14P
16U	LFD-16	LFD-16FV	LFD-16P
18U	LFD-18	LFD-18FV	LFD-18P
21U	LFD-21	LFD-21FV	LFD-21P
24U	LFD-24	LFD-24FV	LFD-24P
35U	LFD-35	LFD-35FV	LFD-35P
40U	LFD-40	LFD-40FV	LFD-40P
44U	LFD-44	LFD-44FV	LFD-44P
54U	LFD-54	-----	-----

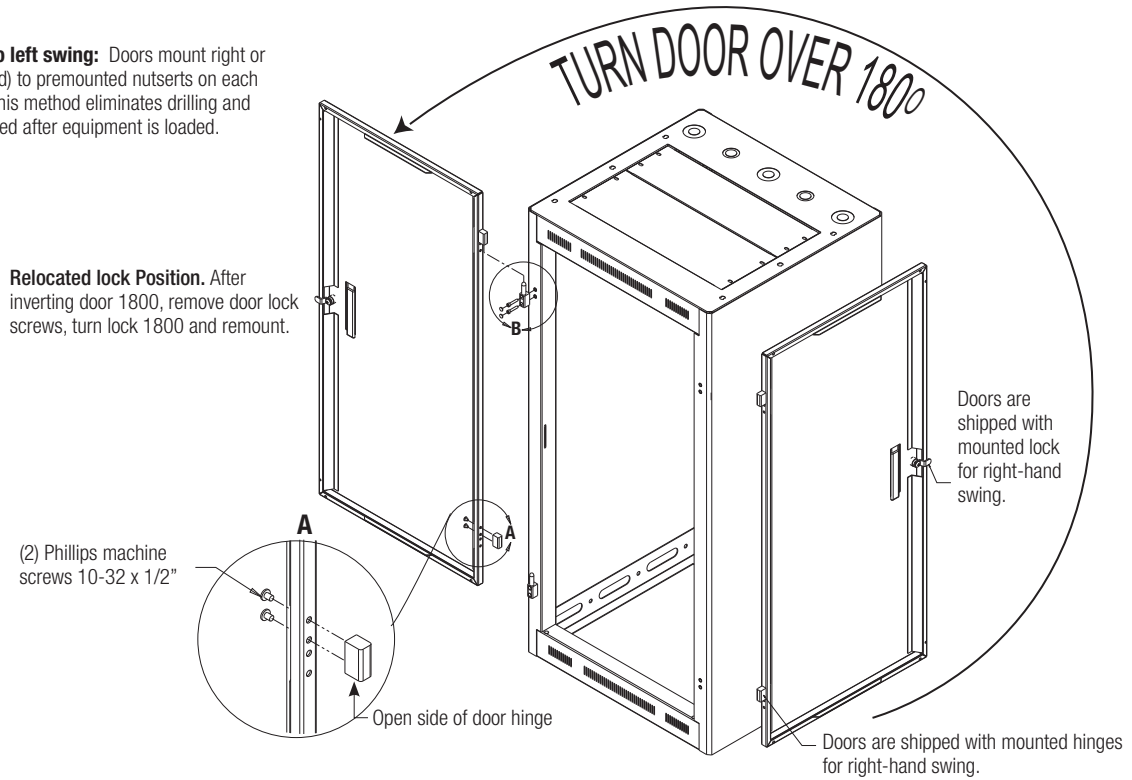


Three Styles: LFD-P (plexiglass), LFD-FV (fully-vented), LFD (solid steel) front doors.

INSTALLATION GUIDE

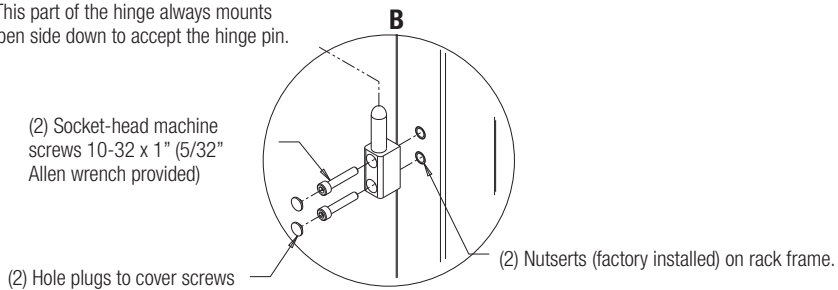
Dimensions are inches and [mm] unless stated otherwise.

Changing from right to left swing: Doors mount right or left (with hinges relocated) to premounted nutserts on each side of the rack frame. This method eliminates drilling and allows doors to be installed after equipment is loaded.



Door hinge (part 1) relocated position.

After inverting door 180°, remove door hinge screws, turn hinges 180°, and remount in the top two hole positions. This part of the hinge always mounts in the top two hole positions with the open side down to accept the hinge pin.



Door hinge pin (part 2) mounts to cabinet without drilling. The second part of the door hinge (pin) is always field installed to factory mounted nutserts. Nutserts are located on the front left and right of cabinet.