



# FP Series

## Finishing Panel for Rackmount Utility Shelves

- Rack Units: 1U or 2U
- Overall Height: 1.75" [44] or 3.47" [88]
- Overall Width: 19.00" [483]

LOWELL'S FINISHING PANEL is designed to cover and secure equipment and cables installed on a 1U or 2U rackmount shelf (USM, USMG, US, or USV Series). Its unique, notched design allows the panel to be mounted after the shelf and equipment have been installed, creating a clean and professional appearance for the rack front.

## FEATURES

### CONSTRUCTION:

- 14-gauge USA-certified steel
- Two opposing corners are notched to fit around existing rack screws, allowing the panel to be installed in front of a rackmount shelf without removing the shelf or equipment mounted to it.

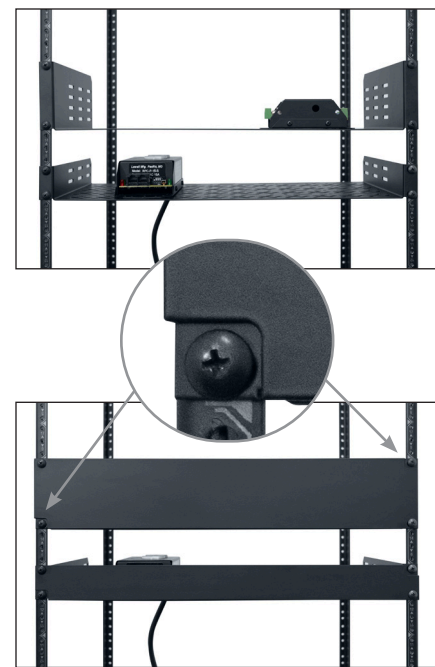
**FINISH:** Smooth-black powder-coat finish

**COMPLIANCE:** EIA/TIA compliant, TAA (Trade Agreements Act) compliant, BAA (Buy American Act) compliant

**ORIGIN:** Made in USA

## A&E SPECIFICATIONS

The 19" EIA rackmount panel shall be Lowell Model FP-\_\_\_\_, constructed from 14-gauge steel with a smooth-black powder-coat finish. It shall measure 19 inches in width and \_\_\_\_ rack units (U) in height. The panel shall feature a unique design with two opposing corners notched to fit around existing rack screws, allowing the panel to be mounted in front of a fixed rackmount shelf without the need to remove the shelf or its hardware. The panel shall be made in the USA using USA-certified steel and shall be EIA/TIA compliant, TAA compliant, and BAA compliant.



The FP Series finishing panels feature opposing corners notched to easily mount in front any Lowell utility shelves (USM, USMG, US, and USV series) without removing the shelf or mounted equipment from the rack. USM Series shelves with multiple tie-off points are shown.

## SERIES SUMMARY

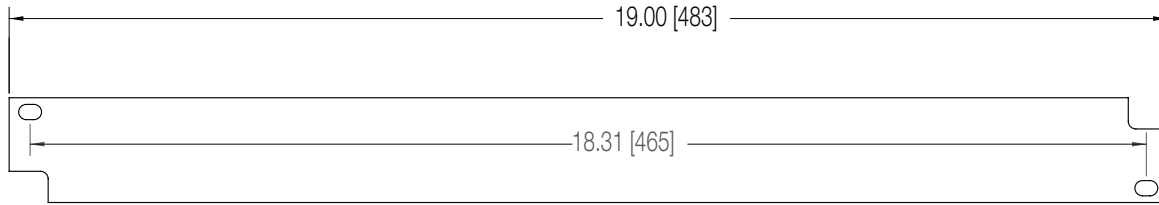
Model No.	Description	Rack Units	Overall Height	Overall Width	Carton Pack
FP-1	Finishing panel for use with a 1U rackmount shelf	1U	1.75 [44]	19.00 [483]	1
FP-2	Finishing panel for use with a 2U rackmount shelf	2U	3.47 [ 88]	19.00 [483]	1

Dimensions = inches [mm]; 1U = 1.75"

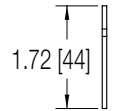
## TECHNICAL DRAWINGS

Dimensions are inches and [mm] unless stated otherwise.

### Model FP-1

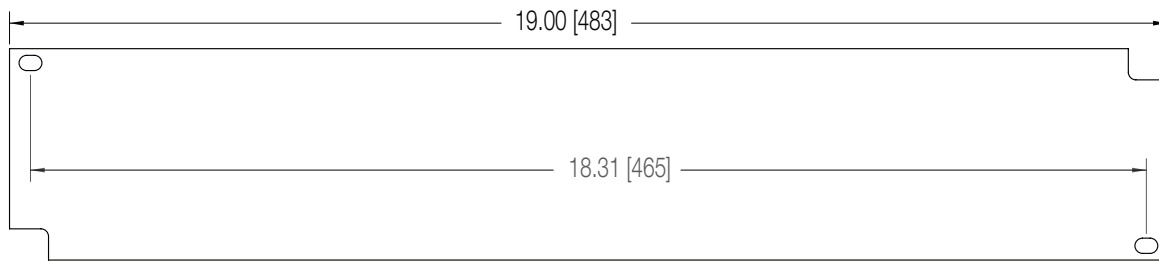


**Front View**

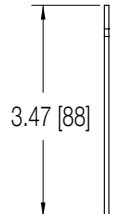


**Side View**

### Model FP-2



**Front View**



**Side View**

