

Model No.

150LVCS-RM

Stereo Volume Control

INCLUDES:

- 150W stereo attenuator
- Rackmount
- Rotary knob



150W STEREO ATTENUATOR is engineered for three types of 70V applications – distributed mono systems, distributed mono systems with subwoofer, and distributed stereo systems. Rackmount knob with adhesive dial scale label.

FEATURES

DESCRIPTION: Stereo autoformer attenuator for use with 70V speaker line

POWER RATING: 150W

ATTENUATION: 3dB per step (33dB total with two steps of 6dB each before off)

TERMINATION: Phoenix style plug-in screw termination strips for pre-wire convenience

WIRE CAPACITY: Up to 14-gauge

SWITCH TYPE: Rotary knob, black

SWITCH POSITIONS: 0-max (10)

COMPLIANCE & CERTIFICATIONS:

- ETL Listed. Conforms to UL 60065 / UL 2043. Certified to CSA 22.2 #60065.
- Assembled in U.S.A. with global components

MOUNTING STYLE:

- Rackmount, black adhesive label with white printed dial scale and plastic window to insert a paper label.



A&E SPECIFICATIONS

The stereo autoformer attenuator volume control for distributed mono systems, distributed mono systems with subwoofer, or distributed stereo applications shall be Lowell model 150LVCS-RM, with power rating of 150W per channel and 3dB per step attenuation with two positions of 6dB each before off. The volume control shall have plug-in screw termination strips for up to 14-gauge wire for 70V input connections (from an amplifier), and 70V output (to a speaker/transformer assembly). The unit shall include a black rotary knob and adhesive label with white printed dial scale.

OPTIONAL ACCESSORIES

LVC8P-ID-2: 2U rackmount panel mounts up to 8 standard rackmount volume controls or 4 wide-body rackmount volume controls in alternate spacing.

D8P-ID-3: 3U rackmount panel vertically mounts up to 8 decorator-style one-gang volume controls or 4 wide-body volume controls in alternate spacing.

SERIES SUMMARY

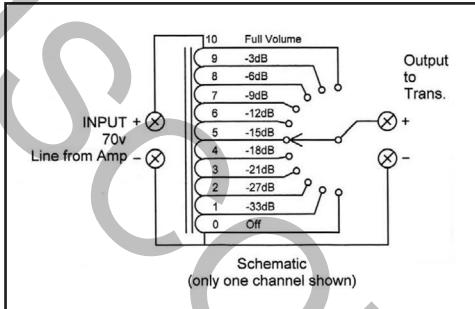
Model No.	Power Rating	Attenuation Steps*	Type	Priority Relay	Mount Type	Plate Size	Color	Switch	Listing	For Use With
150LVCS-RM	150 W	3 dB	autoformer	---	rackmount	---	ss / black	knob	ETL	70V speaker line

* 33dB total; 2 steps of 6dB each before off.; ss = stainless steel

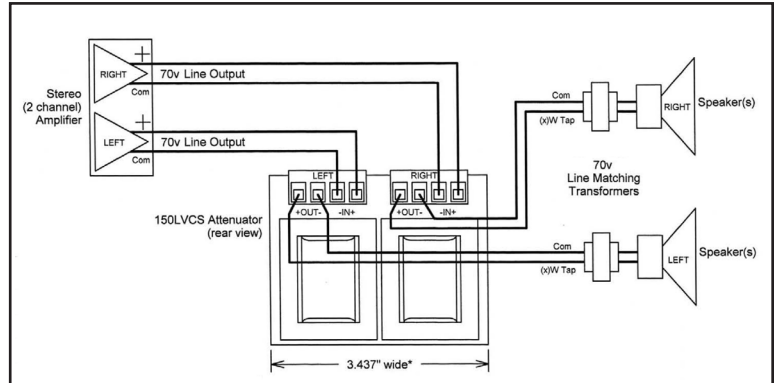


DRAWINGS

SCHEMATIC (ONE CHANNEL):



WIRING:



APPLICATIONS:

