



Model No.

LUH-BOX

Backbox for LUH-15TX or LUH-15TA Unihorn™

Installation Type: Recessed or surface-mount

Application Type: Indoor or outdoor



Galvanized steel backbox with Network Grey finish has a 4" depth for recessed or wall surface installation of Lowell Unihorn™ model LUH-15TX or LUH-15TA in venues such as schools, offices or warehouses.

FEATURES

CONSTRUCTION: Precision-formed, 20-gauge galvanized steel with welded seams

DIMENSIONS: 10.5" square x 4" deep

MOUNTING AIDS:

- Variety of rear mounting holes allow the box to be mounted to a 1-gang, 2-gang, 4" square or octagon E.O. box (not included)
- Four (4) additional ¼" holes are provided to allow the box to be mounted directly to a wall
- Mounting hardware to be furnished by installer

FINISH: Network Grey powder coat

COUNTRY OF ORIGIN: Made in the U.S.A. with certified U.S. steel

A&E SPECIFICATIONS

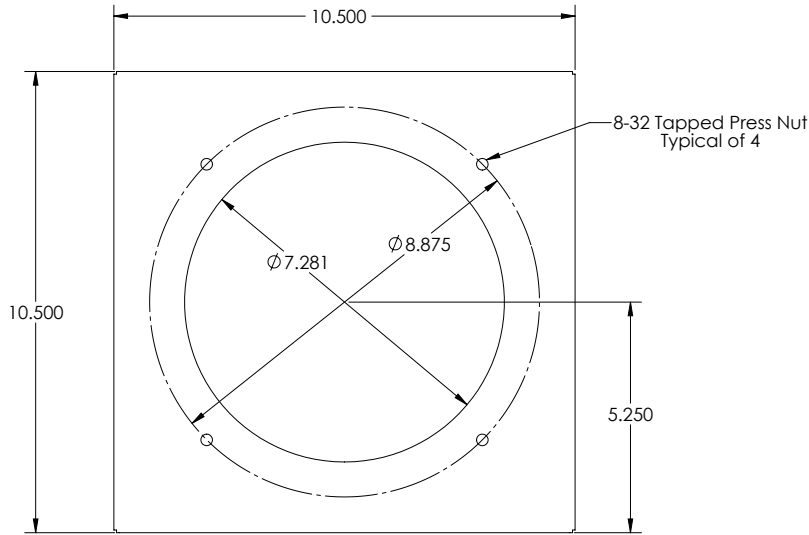
The surface-mount or recessed backbox shall be Lowell Model LUH-BOX, which shall be fabricated of 20-gauge galvanized steel. The rear of the backbox shall include provisions to mount to a 1-gang, 2-gang, 4" square, or octagon E.O. box (not included). The backbox shall feature four (4) additional ¼" holes to allow the box to be mounted directly to a wall. The backbox shall measure 10.5" square x 4" deep and have a Network Grey powder coat finish.

COMPATIBLE COMPONENTS (order separately)

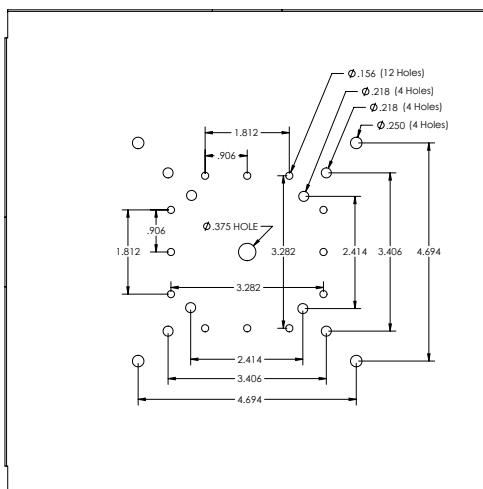
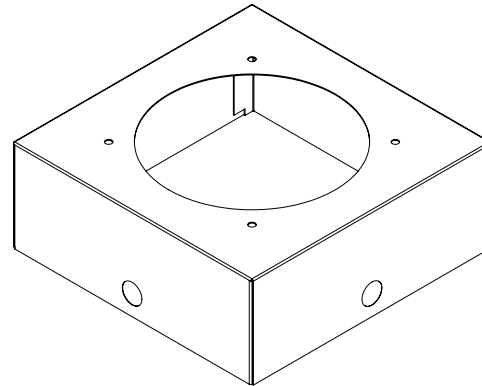
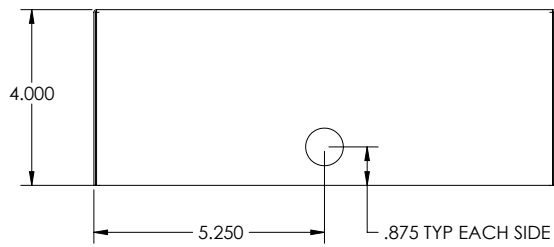
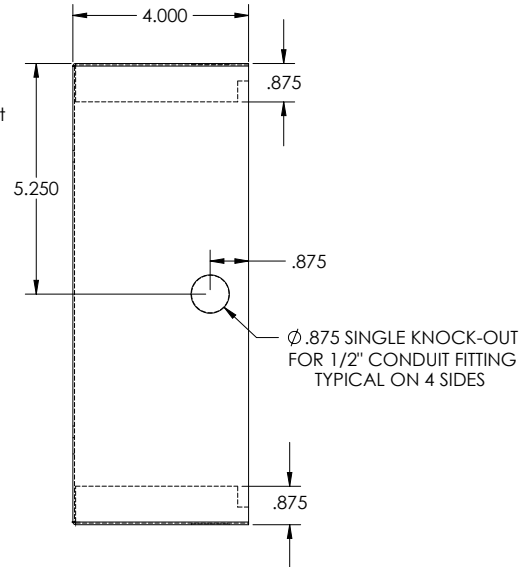
- UNIHORNTM: LUH-15TX or LUH-15TA

TECHNICAL DRAWINGS

Dimensions are inches and [mm] unless stated otherwise.



Front



Rear