



DP Series

Rackmount Panel Punched for Decorator Style, Low-voltage Device

PRE-PUNCHED STEEL RACKMOUNT PANELS with black finish are designed to hold up to (4) four one-gang, decorator style devices. The panels utilize minimal rack space while providing an organized way to mount low voltage devices.

FEATURES

CONSTRUCTION:

- 18-gauge certified USA-certified steel
- 19"W x 1U
- Punched opening(s) sized to accept 1-gang decora-style device, mounted horizontally

FINISH: Smooth-black powder-coat finish

HARDWARE: Kep nut hardware

COMPLIANCE: EIA/TIA compliant, TAA compliant, BAA compliant

ORIGIN: Made in the USA



A&E SPECIFICATIONS

The rack shall include Lowell model _____ panel, which shall be formed 18-ga. steel construction (19"W x 1U) with _____ punched opening(s) sized to accept one-gang, decora-style, low-voltage devices. The panel shall have a smooth-black powder-coat finish and include Kep nut hardware. The panel shall be made in the USA with USA-certified steel.

OPTIONAL ACCESSORIES & DEVICES (order separately)

On/off switches are typically mounted in this panel. Remove the wall plate before installing the switch in the panel.

- DBB Series: blank filler plates are used to plug unused positions
- RPS Series: remote power switches, decora-style
- LVC Series: volumn controls, decora-style



DP SERIES SUMMARY

Model No.	Description	Panel Space	Overall Width	No. of Punches	Device Mounted Direction	PocketID™ Label Area	Carton Pack
D1P-1	Rack panel for one decorator style device	1U	19.00 [483]	1	horizontal	---	1
D2P-1	Rack panel for two decorator style devices	1U	19.00 [483]	2	horizontal	---	1
D4P-1	Rack panel for four decorator style devices	1U	19.00 [483]	4	horizontal	---	1

ADDITIONAL PUNCHED PANELS BY LOWELL

Model No.	Description	Panel Space	Overall Width	No. of Punches	Device Mounted Direction	PocketID™ Label Area	Carton Pack
DP-ID Series - w/ PocketID™ (for decorator style devices)							
D3P-ID-1	Rack panel for three decorator style devices, w/PocketID™	1U	19.00 [483]	3	horizontal	yes	1
D3P-ID-2	Rack panel for three decorator style devices, w/PocketID™	2U	19.00 [483]	3	horizontal	yes	1
D8P-ID-3	Rack panel for eight decorator style devices, w/PocketID™	3U	19.00 [483]	8	vertical	yes	1
D9P-ID-3	Rack panel for nine decorator style devices, w/PocketID™	3U	19.00 [483]	9	vertical	yes	1

Punched Panels (for Volume Controls, Wall Plate Devices (1-Gang), and Miscellaneous Connectors)

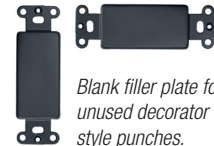
LVC8P-ID-2	Rack panel for eight volume controls, w/PocketID™	2U	19.00 [483]	8	---	yes	1
N10P-ID-1	Rack panel for ten Neutrik-D/Switchcraft-E connectors, w/PocketID™	3U	19.00 [483]	10	---	yes	1
SG6P-3	Rack panel for six standard (1-gang) wall plate devices	3U	19.00 [483]	6	vertical	---	1
UCP-1-16	Rack panel for sixteen universal connectors	1U	19.00 [483]	16	---	---	1

Dimensions = inches [mm]; 1U = 1.75"

Blank Filler Plates (for decorator style punches, unused positions)

	Carton Pack
DBB-4 Blank filler plate (4 pk.)	1
DBB-100 Blank filler plate (100 pk.)	1

Dimensions = inches [mm]; 1U = 1.75"

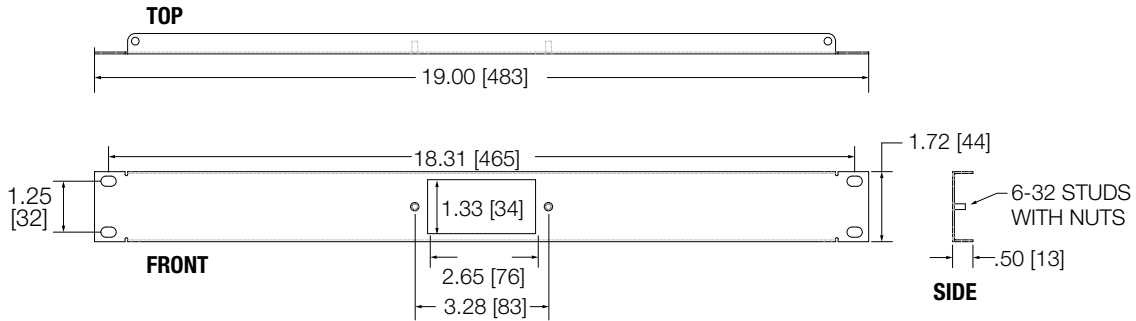


Blank filler plate for unused decorator style punches.

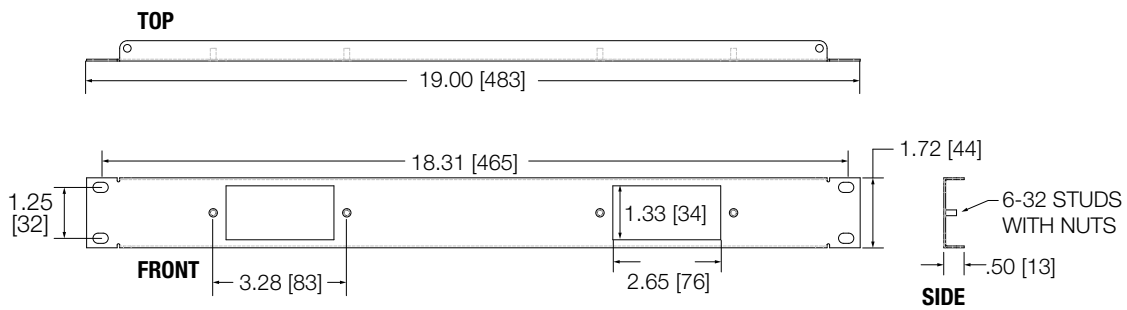
TECHNICAL DRAWINGS - DP SERIES

Dimensions are inches and [mm] unless stated otherwise.

MODEL D1P-1



MODEL D2P-1



MODEL D4P-1

