

# LTR Series

## Tilt-Out Wall Rack, Surface-Mount

Panel Space:	3U in upper bay 2U, 3U, and 4U in lower tilt-out bay
Overall Height:	35.00" [889]
Overall Depth:	5.13" [130] 6.88" [175] 8.07" [205]
Overall Width:	24.50" [622]
Load Capacity:	100 lbs. [45 kg]

THE SURFACE-MOUNT TILT-OUT WALL RACK is designed for 19"W amplifiers, small mixers, PA systems, or consumer electronics, securely mounting equipment in a vertical position. Ideal for space-saving installations, this rack provides easy access while keeping devices organized.

For recessed installations add the optional LTR trim plate (model LTR-TRIM) for a professional, clean finish.

## FEATURES

**CONSTRUCTION:** Certified U.S. steel frame with beveled edges.

**FINISH:** Neutral Network Grey wrinkle powder coat finish.

### LOWER TILT-OUT BAY:

- \_\_\_U (2, 3 or 4) x 19"W x 20"D
- Mounts equipment vertically. First space 18"D max., second space 20"D max.
- To open, lift integral handle and lower main compartment to positive stop for equipment operation (12°) or servicing (105°). Note that some equipment may require lowering to the horizontal position for proper operation.
- **Adjustable Rails:** 1 pair of 11-gauge steel 10-32 threaded rails on E.I.A. spacing.
- Clamping bracket helps secure equipment
- Integral formed handle
- Vents in front and base
- Center key lock secures this bay
- Includes E.O. box in base for convenient connection to AC power
- Includes DIN rail in base

### UPPER BAY:

- 3U x 19"W
- Remove the blank panel to utilize this horizontal mount space. This bay does not have a door, so it's ideal for quick access to a control panel.
- **Fixed Rails:** 1 pair of 11-gauge steel 10-32 threaded rails on E.I.A. spacing.

### CABLE MANAGEMENT:

- Combination EKO's for conduit in top and base (1/2"-3/4", 1"-1-1/2")
- Multiple bridge lances
- Rear cutout accommodates wall obstructions

**HARDWARE:** Pilot point screws with captive washers.

### INSTALLATION:

- Ships ready to install.
- Mounts on standard 16" centers
- For surface-mount installation in brick, concrete block or stud wall.

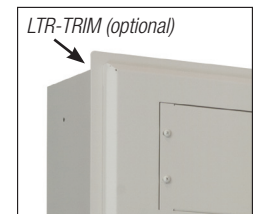
**COMPLIANCE:** EIA/TIA compliant; TAA compliant; BAA compliant



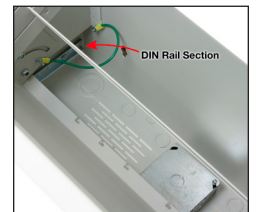
LTR-320S shown

Wall-mount rack with two bays. Remove top blank panel to utilize the 3U upper bay. The lower (main) bay tilts out when opening to operation or service position.

## RECESSED INSTALLATIONS



To convert the LTR Series from surface-mount to recessed order the optional trim plate, model LTR-TRIM.



DIN rail and E.O. Box in base. 1- or 2-gang E.O. Box depends on rack depth (see summary chart, pg 2).

## A&E SPECIFICATIONS — SURFACE-MOUNT

The surface-mount wall rack with tilt-out operation shall be Lowell LTR-\_\_\_\_S, which shall provide \_\_\_\_U panel space for vertical mounting of 19-inch wide equipment in the lower tilt-out bay (first panel space 18"D max., second panel space 20"D max.). Overall rack dimensions shall be 35.00"H x 24.50"W x \_\_\_\_"D. The rack shall feature vents in front and base, compound knockouts in top and base, DIN rail and E.O. box in base, and a center rear cutout to accommodate wall obstructions or cables. The 3U upper bay shall feature a blank panel that can be removed to horizontally mount an optional 19-inch control panel or shallow equipment. The lower tilt-out bay with keyed lock shall include 1 pair of adjustable mounting rails tapped 10-32, and clamping bracket to help secure vertically mounted equipment. The rack shall be manufactured in the U.S.A. with certified U.S. steel, beveled edges, and Network Grey wrinkle powder coat finish. The assembly shall have a load capacity of 100 lbs.

OPTIONAL FOR RECESSED INSTALLATION: The rack shall include the LTR trim plate, Model LTR-TRIM, which shall mount between the rack's backbox and front frame. The trim plate shall be manufactured in the U.S.A. with certified U.S. steel and have a Network Grey textured powder coat finish. It shall measure 36.20"H x 25.70"W x .056"D.

## LTR SERIES SUMMARY — SURFACE-MOUNT

Model No.	Upper Bay Rack Units	"A" Lower Bay Rack Units	Overall Rack Height	"B" Overall Rack Depth	"C" Backbox Depth	"D" Front Frame Depth	Overall Rack Width	"E" Rear Cutout	E.O. Box Size
LTR-220S	3U	2U	35.00 [889]	5.13 [130]	4.38 [111]	.75 [19]	24.50 [622]	10.00 [254] sq.	1-gang
LTR-320S	3U	3U	35.00 [889]	6.88 [175]	6.13 [156]	.75 [19]	24.50 [622]	8.50 [216] sq.	4" sq.
LTR-420S	3U	4U	35.00 [889]	8.07 [205]	7.32 [205]	.75 [19]	24.50 [622]	8.50 [216] sq.	4" sq.
<b>OPTIONAL SERIES ACCESSORY</b>							Trim Plate Height	Trim Plate Depth	Trim Plate Width
LTR-TRIM*	Trim plate for recessed installation of LTR Series racks					36.20 [919]	.056 [1]	25.70 [653]	

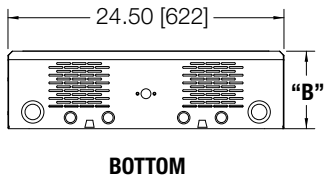
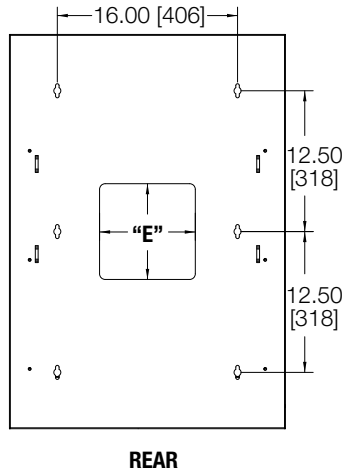
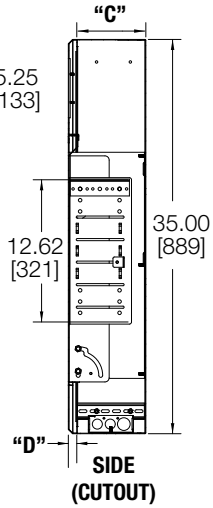
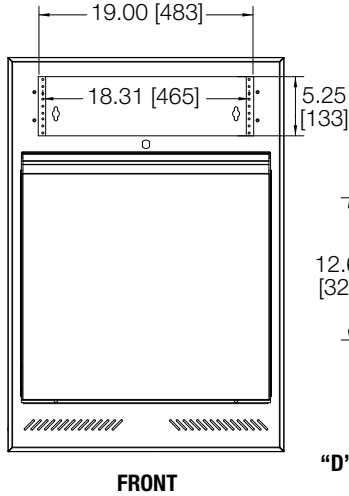
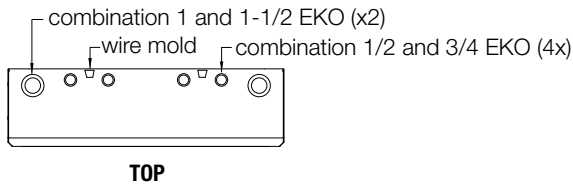
Rack dimensions (rounded) – inches and [mm]; 1U = 1.75"; \* Model LTR-TRIM can be used to convert LTR series to recessed mount (order separately).

## OPTIONAL ACCESSORIES

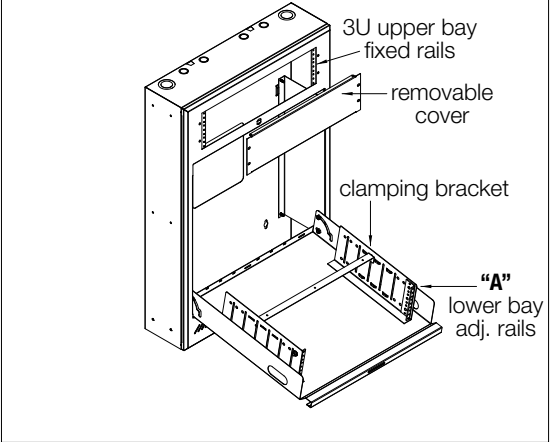
- **D8P-ID-3:** 3U panel with rear lacing flange and Pocket-ID window will accept up to eight 1-gang devices.
- **LTR-TRIM:** Trim plate for recessed installation of LTR Series racks.

# TECHNICAL DRAWINGS — SURFACE-MOUNT

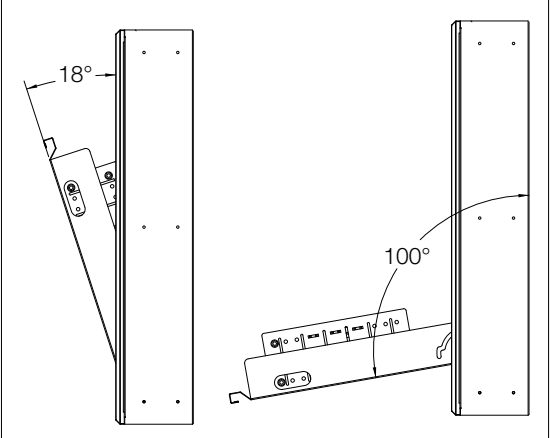
Dimensions are inches and [mm] unless stated otherwise.



## ISO VIEW

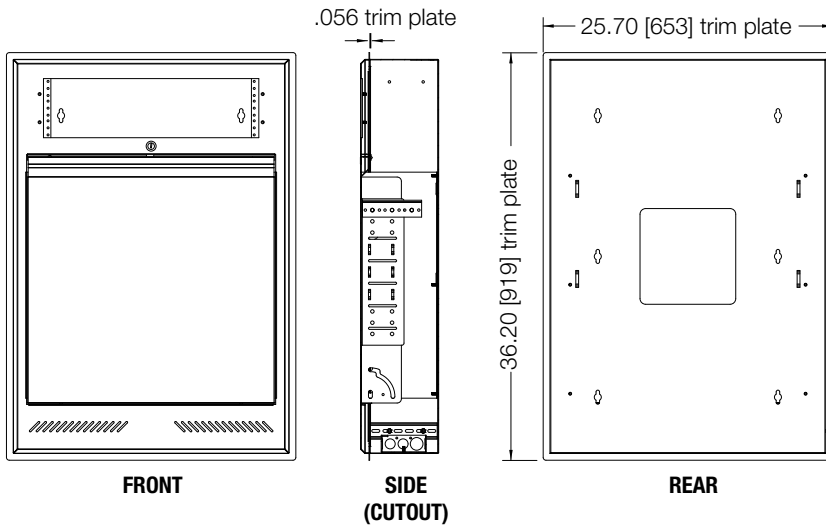


## LOWER TILT-OUT BAY — POSITIVE STOPS



## Convert to Recessed Rack

Add an optional trim plate (Lowell Model LTR-TRIM) to convert the LTR series from surface-mount to recessed.



## ISO VIEW

