

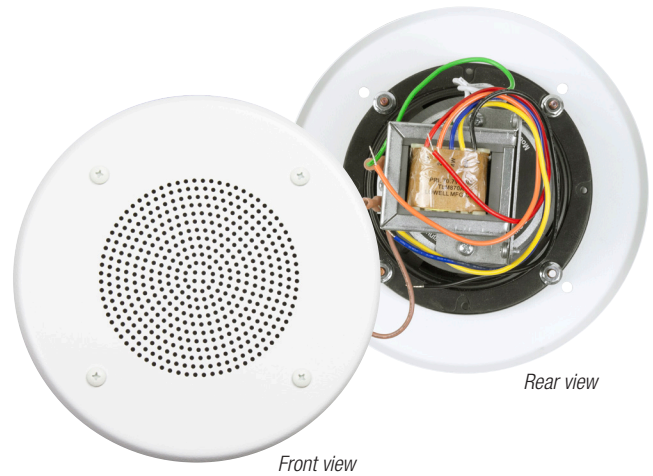
Model No.

WB4-4A30-T870-S

Speaker Assembly w/Screw-Mount Grille

INCLUDES:

- 4 inch 30W coaxial driver
- 70V transformer
- White screw-mount grille



PREMIUM 4" 30W COAXIAL DRIVER engineered as a step up in sound quality and performance over standard commercial coaxial drivers, provides very high quality paging and background music reproduction for hotel lobbies, retail stores, transportation terminals, and similar venues.

CONSTRUCTION & FEATURES

DRIVER (4A30):

- 4" 30W coaxial driver 135 degree dispersion for large coverage areas. Driver's capacity to deliver a wide angle of sound distribution at 2kHz with uniform response and clear audibility ensures complete coverage with minimum units.
- Ten oz. magnet coupled with 1" copper voice coil driving a polypropylene cone with half-roll rubber surround for long cone travel and good edge damping.
- Post-mounted, liquid-cooled tweeter is a 1" dia. balanced drive dome with first order high-pass filter.
- Frequency response is 70Hz-20kHz (+6dB) and 50Hz-20kHz (+8.8dB) with a crossover at 5kHz.
- Frame is stamped 20-ga. steel with black enamel paint finish and zinc plated backplate.

TRANSFORMER (TLM-870A):

- Factory wired 70V transformer with primary taps at 8, 4, 2, and 1W
- Frequency response of 50Hz-15kHz (+1dB).

GRILLE (WB-4):

- Certified U.S. steel punched
- White powder coat finish
- 7.25" diameter
- Mounts to a backbox with four white screws (included).
- Made in the U.S.A.

COMPATIBLE COMPONENTS (order separately)

Enclosure (CP4):

- 22-gauge steel enclosure with black powder coat finish and undercoated to reduce acoustic and metallic resonance
- Measures 6.31" Dia. x 4"D.
- Features an extended flange and four (1/2" - 3/4") compound knockouts for conduit.
- Made in the U.S.A.

Channel Rails (SS Series):

- Channel rails can be used to rough-in the suggested enclosure (backbox) before a drywall ceiling is installed.
- Made in the U.S.A.

Tile-Bridge (LBS4-DX):

- Can be used with the enclosure to distribute speaker weight in suspended ceiling installations.
- Made in the U.S.A.

MODEL SUMMARY

Model No.	Description	Driver	Transformer Taps	Grille
WB4-4A30-T870-S	Driver + transformer + grille assembly, shallow-mount	4" 30W coaxial	8, 4, 2, 1W	Round

A&E SPECIFICATIONS

The speaker assembly shall be Lowell Model WB4-4A30-T870-S, which shall include a 4" driver, 70V transformer and grille. The driver shall be of the coaxial type with high and low frequency transducers. Low frequency section shall have a 4" dia. polypropylene cone; high frequency section shall have a tweeter with a 1" dia. balanced-drive dome. Built-in crossover network shall be employed to accomplish proper frequency division between the two drivers. Crossover frequency shall be at 5kHz with first order high-pass filter. It shall be capable of producing a uniform audible frequency response over the range of 70Hz-20kHz (+6dB) and 50Hz-20kHz (+8.8dB) with dispersion angle of 135 degrees @2000Hz (-6dB). Average sensitivity shall measure 88.0dB (SPL at 1W/1M). Rated power handling shall be 30W (EIA 426B). The 1" dia. low frequency voice coil shall operate in a magnetic field derived from a ferrite (ceramic) magnet with nominal weight of 10oz.; the 0.53" dia. high frequency voice coil shall operate in a magnetic field derived from a Neodymium magnet with 0.06oz. nominal weight. Voice coil impedance shall be 8 ohms. Frame shall be structurally reinforced stamped 20-ga. steel with 5" overall dia., 4 round and 4 obround holes equally spaced on 4.66" dia. mounting bolt circle. External metal parts shall be finished in black enamel paint or zinc plating to resist rust/corrosion. Transformer shall have primary taps at 8, 4, 2, 1W and frequency response of 50Hz-15kHz (+1dB). It shall be factory-mounted to top of driver, which shall be mounted to a punched steel screw-mount grille with 7.25" dia. and white powder coat finish.

DRIVER + TRANSFORMER SPECIFICATIONS

Driver + Xfmr. No's.	Frequency Response	Dispersion 2000Hz octave (-6dB)	Sensitivity	Assembly Depth *	Assembly Weight	Max SPL
4A30 + TLM-870	70Hz-20kHz (+6dB) 50Hz-20kHz (+8.8dB)	135 degrees conical	88.0dB Avg. SPL	3.75"	2.7 lbs.	97.0dB **

* Minimum depth required for assembly to be rear-mounted to enclosure. Additional technical information available on specification sheet for Driver No. 4A30.

** Calculated value 1M @ maximum transformer tap (8W)

TRANSFORMER SPECIFICATIONS

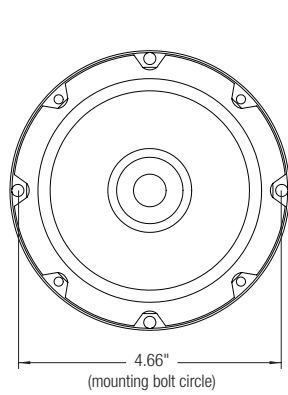
Model No.	Power Rating	Voltage	Primary Taps	Response	Insertion Loss
TLM-870A	8W	70V	1, 2, 4, 8W	50Hz-15kHz (± 1 dB)	0.8dB

GRILLE SPECIFICATIONS

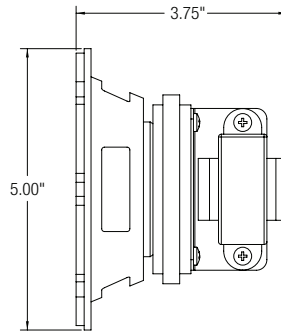
Model No.	Overall Diameter	Mounting Projection	Speaker Stud Circle	Mounting Style	Material	Finish
WB-4	7.25"	0.25"	4.69"	Screw-mount	20-ga. Steel	White

TECHNICAL DRAWINGS

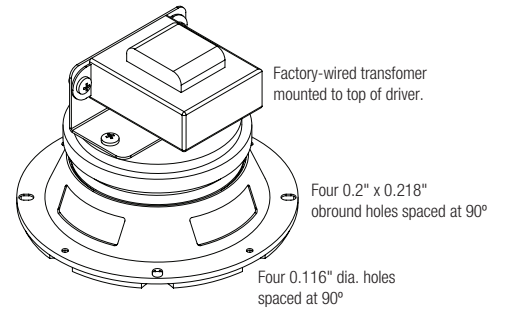
Dimensions are inches and [mm] unless stated otherwise.



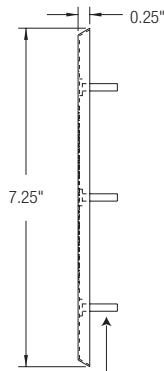
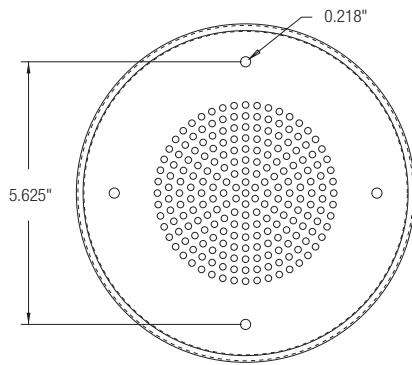
FRONT



SIDE



REAR



Four 8-32 studs
to mount speaker.

