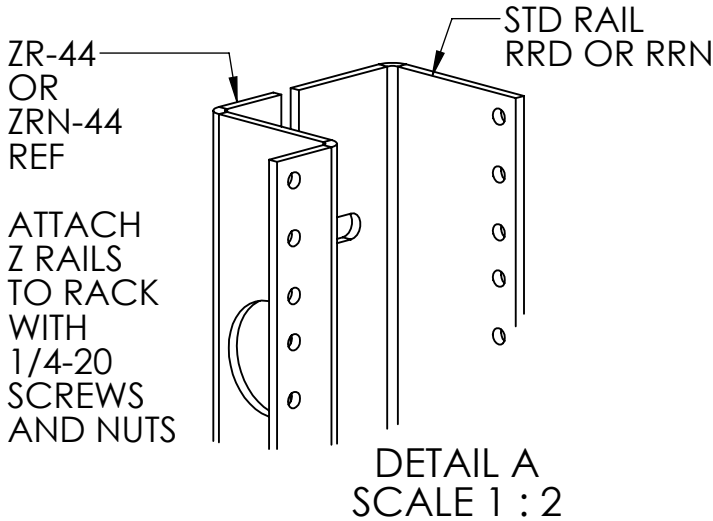


Z RAIL KITS & CHB INSTALL INFORMATION

Z RAIL KIT CONTENTS:

- (2) RAILS
- (8) 1/4-20 X 5/8" SCREWS
- (8) 1/4-20 SLIDE NUTS



CHB (CHASSIS SUPPORT BRACKET)

KITS CONTAIN (2) BRACKETS:

TO INSTALL:

- 1) ADJUST Z RAILS FORE AND AFT TO ATTACH CHB
- 2) SECURE CHB TO "Z" RAIL WITH 10-32 RACK SCREWS AS SHOWN ON EACH SIDE OF THE RACK.

NOTE: INSTALLATION OF THE 2 CHB BRACKETS TO CREATE A SUPPORT SHELF REQUIRES

(2) Z RAIL KITS TO BE INSTALLED IN THE RACK

