

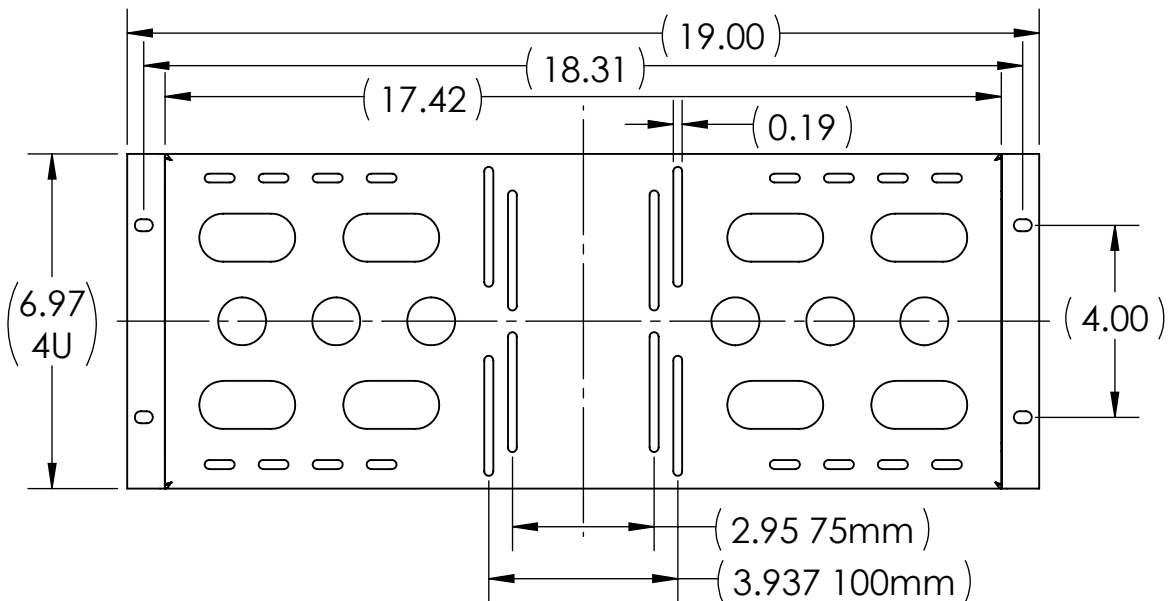
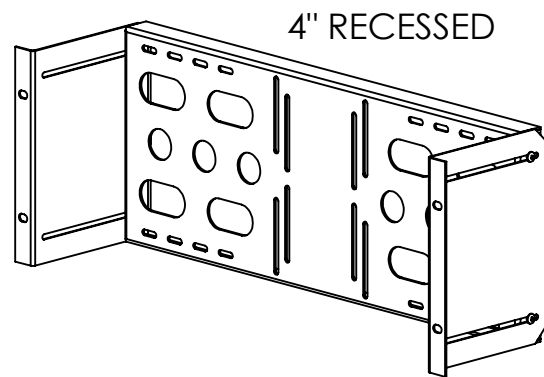
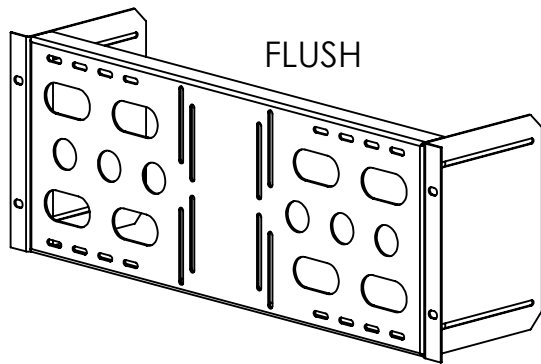
INSTALL SHEET DMR-19

- DMR-19 CONTAINS:**
 (2) MOUNTING EARS
 (1) CENTER PC
 (4) 8-32 x 1/2" SCREWS

VESA PATTERN:
 75 X 75mm
 100 X 100mm

- ATTACH MOUNTING EARS TO CENTER PIECE WITH (4) 8-32 X 1/2" SCREWS
- ADJUST DEPTH AS REQUIRED
- INSTALL IN 19" RACK
- ATTACH DISPLAY

**19" LCD
 4U RACKMOUNT**



P/N 24135 3-3-21