



Model

# PFR-FP Series

Front panel for PFR Series wall-mount racks

Steel front panel with black powder epoxy finish is made for use with PFR Series wall racks. It requires the use of a top cover (PFR-TC Series, order separately) to mount to the rack.

## FEATURES

**COMPATIBILITY:** For Lowell PFR Series wall racks

**CONSTRUCTION:** 18-gauge certified U.S. steel cover helps protect wiring

**FINISH:** Smooth black powder epoxy finish

**HEIGHT:** 12.875 in. (6U) or 16.375 in. (8U)

**WIDTH:** 20.95 in.

**DEPTH:** 4.5 in. (adds approximately 3.125 inches in front of rails—see install sheet)

**COUNTRY OF ORIGIN:** Made in U.S.A.

## A&E SPECIFICATIONS

The PFR Series pivot frame wall rack shall include a front panel, Lowell model \_\_\_\_\_ (PFR-FP6, PFR-FP8), which shall be steel with smooth black powder epoxy finish. The front panel shall require the top cover for mounting (order PFR-TC Series top cover separately).

## SERIES SUMMARY

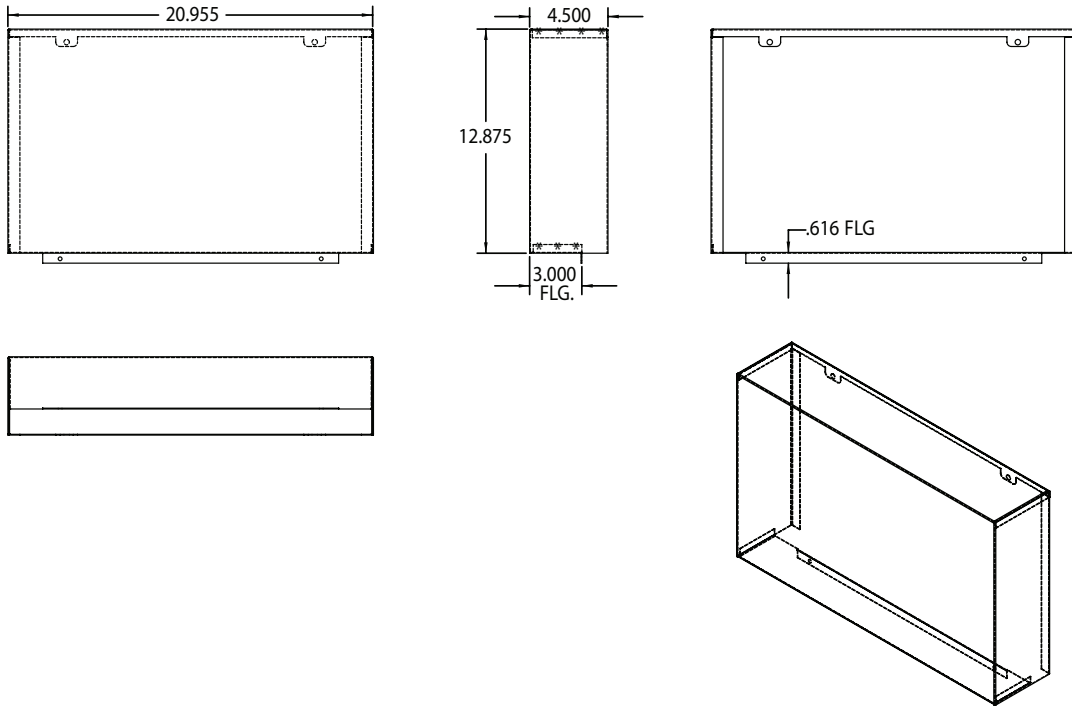
Model No.	Description	Material	Color	Height	Width	Depth
PFR-FP6	Front panel for 6U rack	U.S. steel	Smooth black	12.875"	20.95"	4.5"
PFR-FP8	Front panel for 8U rack	U.S. steel	Smooth black	16.375"	20.95"	4.5"

Note: Cover is not available for 6"U racks

# TECHNICAL DRAWINGS

Dimensions are inches unless stated otherwise.

Model PFR-FP6



Model PFR-FP8

