

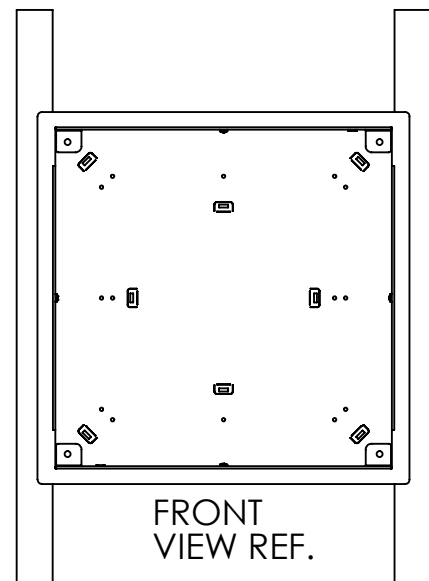
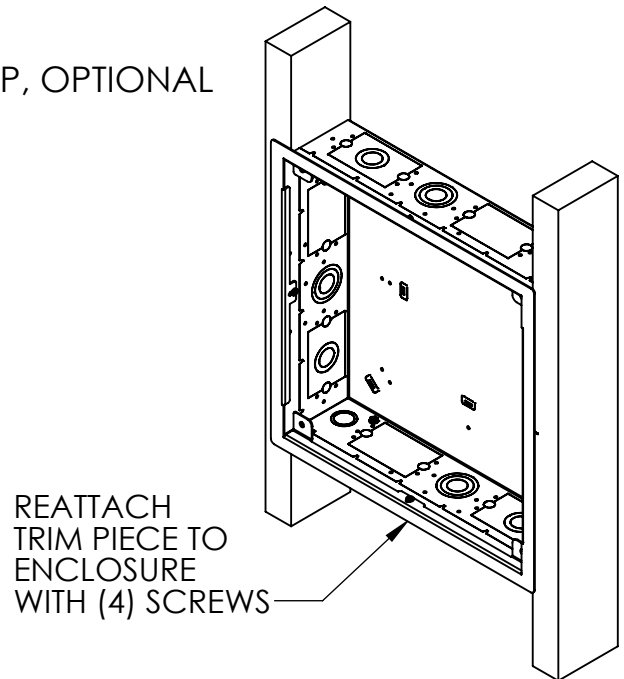
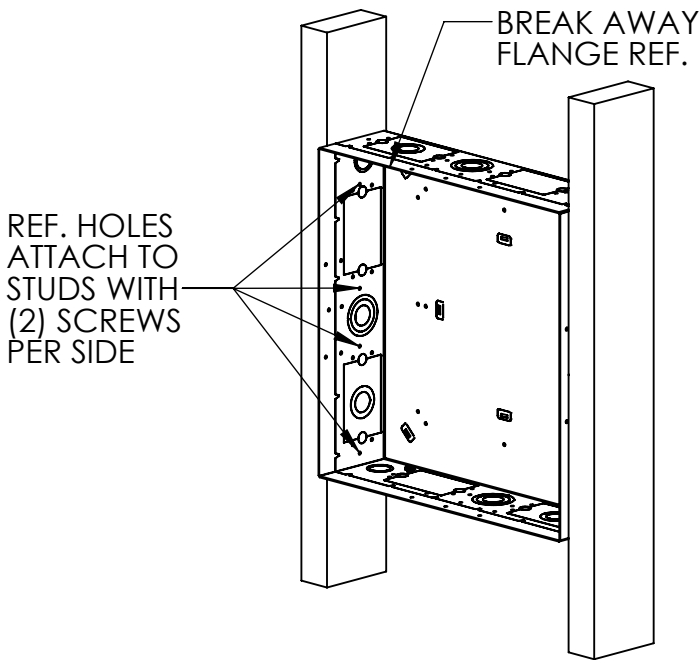
**STEP 1:** DETERMINE WHERE BOX IS TO BE POSITIONED ON THE WALL STUDS OR FINISHED WALL.

IF ENCLOSURE BREAK AWAY FLANGES ARE REMOVED FOR A SHALLOW WALL YOU MUST REMOVE THE TRIM PIECE AND SET ASIDE WITH THE (4) SCREWS.

**STEP 2:** SECURE BOX TO STUDS WITH (2) SCREWS ON EACH SIDE OF ENCLOSURE. MAKE SURE ENCLOSURE FRONT IS LOCATED SO TRIM PIECE CAN BE INSTALLED OVER FINISHED WALL.

**STEP 3:** SECURE TRIM PIECE TO FRONT FACE OF ENCLOSURE WITH THE (4) SCREWS.

**STEP 4:** MAKE SURE TO ALLOW FOR POWER HOOK UP, OPTIONAL DEVICES, COVER & CORD CLEARANCE ISSUES.



1. "EQUIPMENT TO BE INSTALLED OR SERVICED BY TRAINED PERSONNEL WITH APPLICABLE REQUIREMENTS OF THE NATIONAL ELECTRIC CODE, ANSI/NFPA 70 OR CANADIAN ELECTRIC CODE & APPLICABLE SECTIONS OF ANSI C2, NATIONAL ELECTRICAL SAFETY CODE. INSTRUCTION SHALL NOT RESULT IN THE RISK OF FIRE, ELECTRIC SHOCK, OR INJURY TO PERSONS."

2. "AMBIENT TEMPERATURE - MAXIMUM SPECIFIED OPERATING AMBIENT OF 50 DEGREE C SO INSTALLER CAN DETERMINE ACCESSORIES & COMPONENTS."

3. " MAIN POWER SOURCE MAKE SURE 120 AC RECEPTACLES RATING AND MAXIMUM LOAD LIMIT RATINGS ARE AS FOLLOWS:

CIRCUIT RATING (AMPERES)	RECEPTACLE RATING (AMPERES)	MAXIMUM LOAD LIMIT RATINGS
15 OR 20	15	12
20	20	16