

Model No.

HUB-CVR

Top cover for HUB Series



Top cover

Steel top cover for use with HUB Series wall bracket helps protect cables, while serving as a convenient shelf.

FEATURES

COMPATIBILITY: For Lowell HUB Series (hinged utility bracket)

CONSTRUCTION: 18-gauge certified U.S. steel

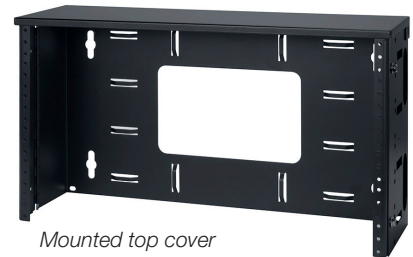
FINISH: Smooth black powder epoxy finish

HEIGHT: 1.13 in. (adds 0.44 in. to overall height of bracket)

WIDTH: 19.29 in.

DEPTH: 6 in.

COUNTRY OF ORIGIN: Made in U.S.A.



Mounted top cover

A&E SPECIFICATIONS

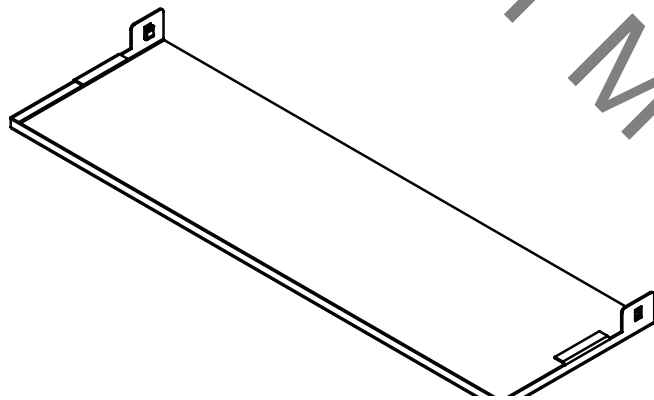
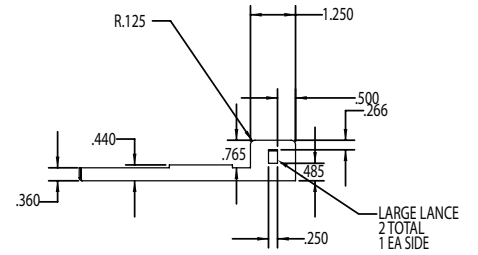
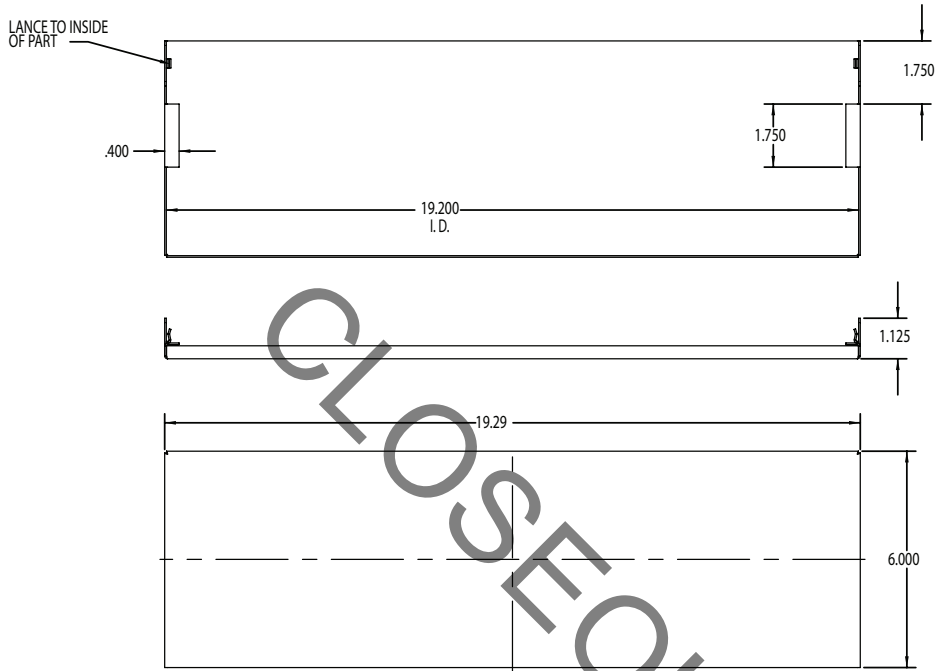
The bracket shall include a top cover/shelf, Lowell Model No. HUB-CVR. The steel cover with black finish shall snap into position on the specified HUB Series wall-mount bracket.

SUMMARY

Model No.	Description	Material	Color	Height	Width	Depth
HUB-CVR	Top cover for HUB Series	U.S. steel	Smooth black	1.13"	19.29"	6"

TECHNICAL DRAWINGS

Dimensions are inches unless stated otherwise.



CLOSEOUT MODEL

