

Rear view



INSTALLATION: Surface-mount
FOR SPEAKER SIZE: 8" EIA
FOR GRILLE TYPE: Screw-mount

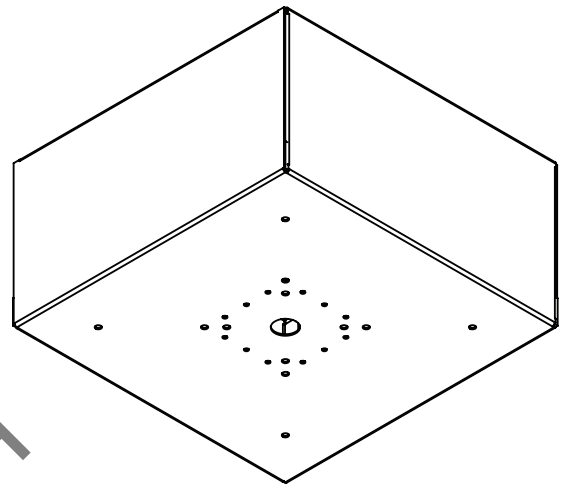
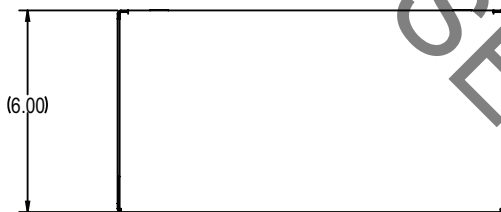
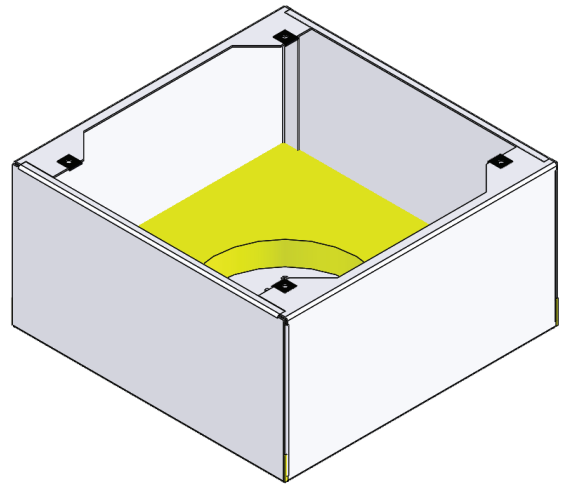
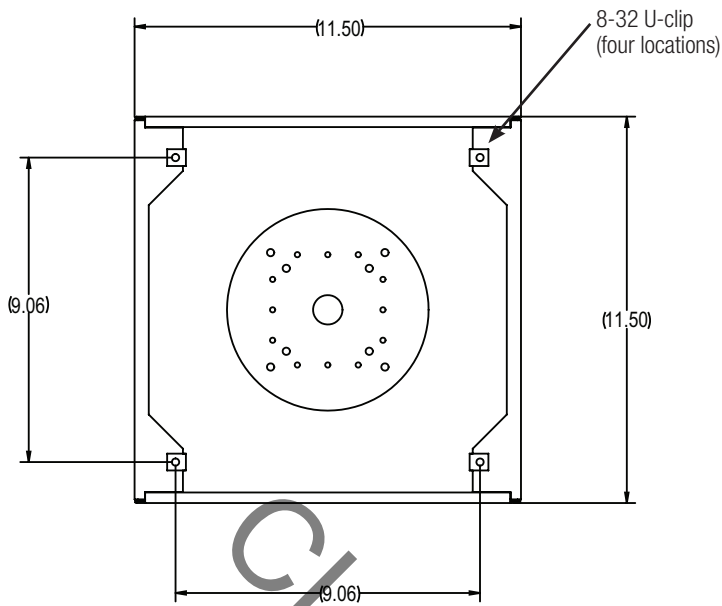
Surface-mount steel enclosure for ceiling or wall installation is designed to screw-mount a grille (Lowell model SG-8VP or VRG-8) with an 8" speaker in vandal-prone areas or where tampering is a concern. This box is made for indoor applications. Order compatible grille and speaker separately.

FEATURES:

- **Construction:** 16-gauge certified U.S. steel with welded seams and white powder epoxy finish. For indoor use.
- **Length x Width:** 11.5" x 11.5"
- **Depth:** 6"D
- **Volume:** 0.459 cu.ft.
- **Acoustic Treatment:** 1" thick acoustic batting (yellow fiberglass)
- **Installation & Knockouts:**
 - Rear hole (0.875" dia.) for 1/2" conduit
 - Universal mounting pattern in rear for installation to 4"square, 4"octagon, 1-gang or 2-gang electrical box (not included).
 - Front formed flanges with U-clips will accept a screw-mount grille.
- **Country of Origin:** Made in U.S.A.
- **A&E Specifications:** The vandal-resistant surface-mount enclosure for indoor installation of an 8" speaker shall be Lowell model CB86-SGVPA, which shall be fabricated U.S. steel with white powder epoxy finish measuring 11.5" square x 6"D. It shall feature a rear hole (.875 dia.) for 1/2" conduit or wire access and provisions to mount to an electrical box (4" square, 4" octagon, 1-gang or 2-gang – not included). It shall also feature four mounting holes and 8-32 U-clips at flanged corners to accept the specified screw-mount grille. The enclosure shall include 1" thick acoustic batting.

COMPATIBLE COMPONENTS (order separately):

- Speakers: 8" EIA.
- Grille (screw-mount): SG-8VP, VRG-8



CLOSEOUT MODEL

