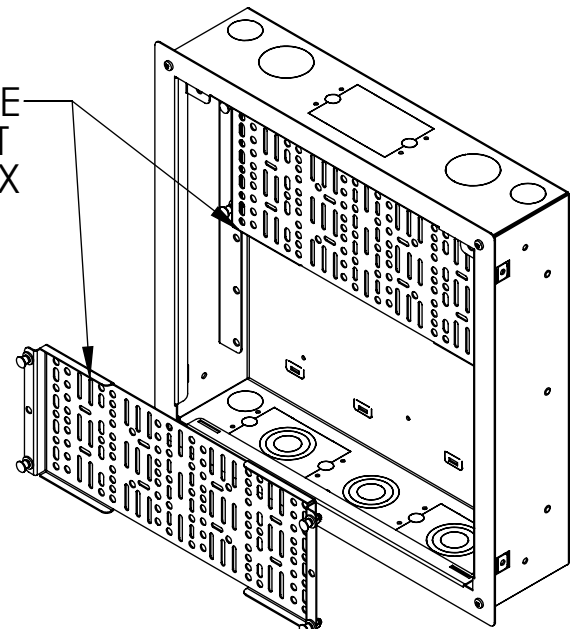


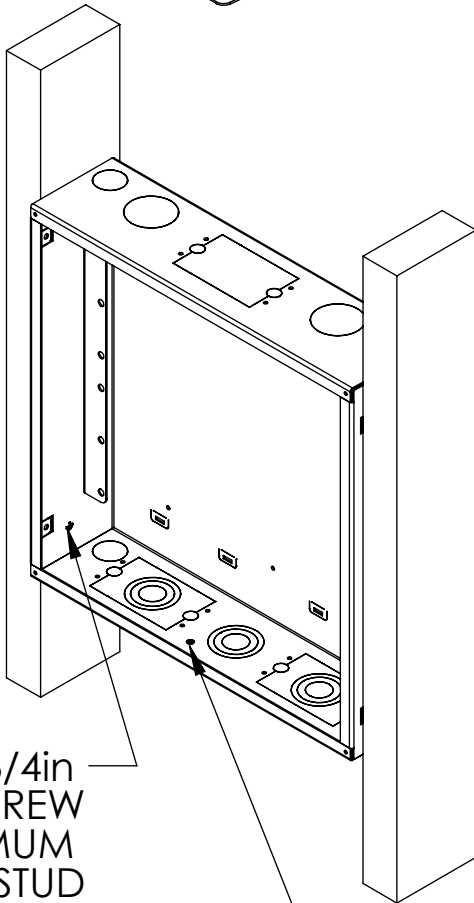
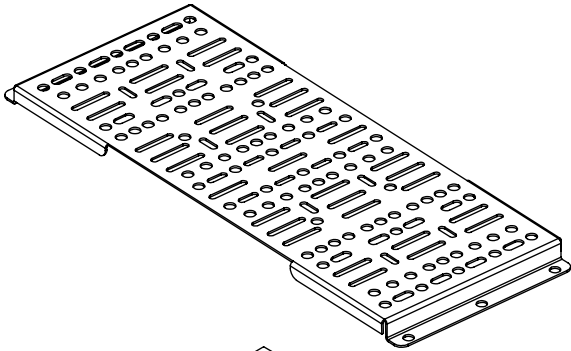
IWB-914, IWB-1414(SHOWN), IWB2214 INSTALLATION SHEET

REMOVABLE
EQUIPMENT
SHELF 2X

REMOVABLE SHELF'S
CAN BE INVERTED
UP OR DOWN



NY LATCH

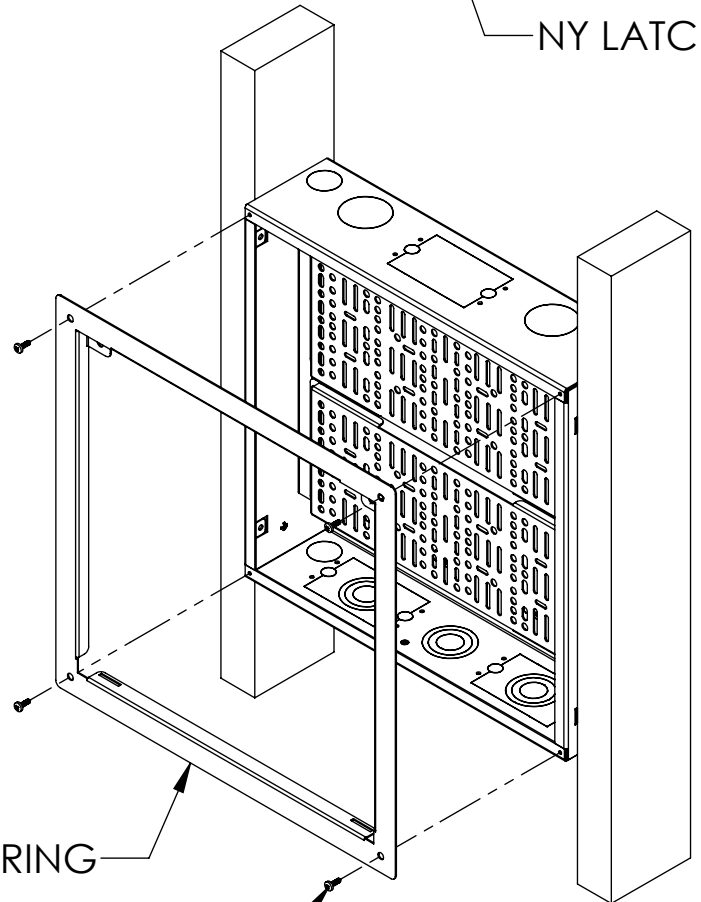


8-32 x 3/4in
SCREW
MINIMUM
2 PER STUD

10-32
GROUND
SCREW

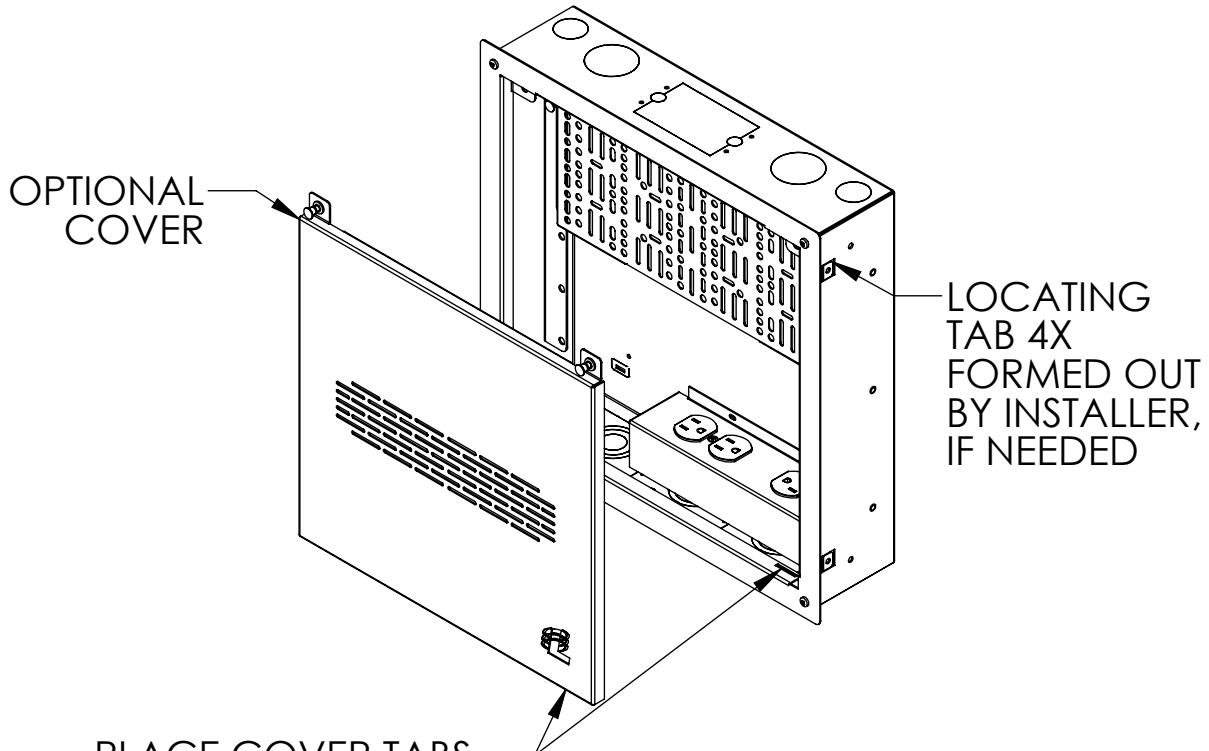
PN: 23176

TRIM RING

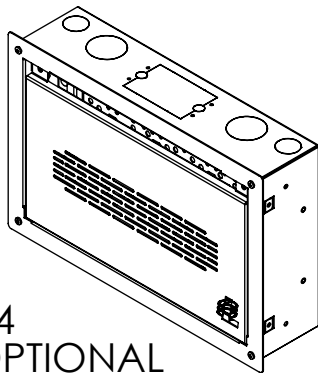


INSTALL TRIM
RING AND
SECURE TO BOX
4 PLACES

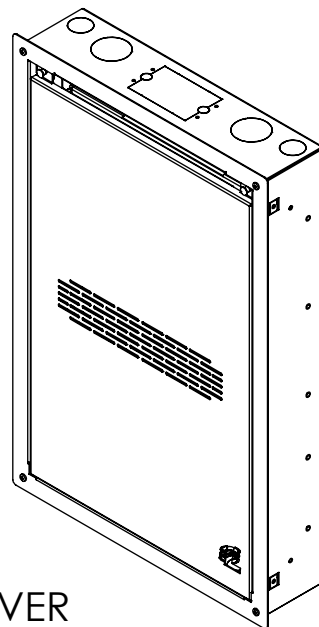
**IWB-914, IWB-1414(SHOWN), IWB-2214
INSTALLATION SHEET**



PLACE COVER TABS
IN BOTTOM SLOTS AND
ALIGN TOP HOLES.
PRESS FASTENERS 2X
TO SECURE COVER.



**IWB-914
WITH OPTIONAL
COVER**



**IWB-2214 WITH
OPTIONAL COVER**

PN: 23176