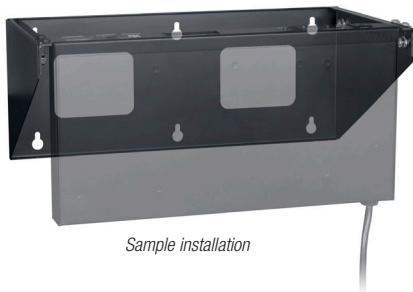




Quintessential space saving solution mounts to a wall or desk to hold equipment vertically or horizontally. Accommodates a variety of equipment depths. Two can be used together for 4-point mounting.

FEATURES

- **Panel Space:** 6U or 10.50" [267]
- **Overall Depth:** 10.94" [278]
- **Overall Height:** 7.75" [197]
- **Overall Width:** 19.17" [487]
- **Construction:**
 - Certified U.S. steel, 16-gauge
 - Smooth black powder epoxy finish
 - Made in the U.S.A.
- **Installation:**
 - Mounting holes on 8" and 16" centers
 - Mounts to a wall or under a desk using minimal amount of space
 - Use two together for 4-point mounting
- **Rack Rails (6U):**
 - One pair of 11-gauge steel 10-32 threaded mounting rails with black finish.
- **Cable Management:**
 - Rear openings for cable management
- **Compliance:**
 - EIA/TIA compliant
- **Load Capacity:**
 - 200 lbs. [90 kg]



Sample installation

A&E SPECIFICATIONS

The wall-mount rack solution shall be Lowell Model VR-6, with overall dimensions of 19.17"W x 10.94"D x 7.75"H. It shall hold 19"W equipment horizontally or vertically, depending on how it is installed, and offer panel space of 6U. It shall feature mounting holes on 8" and 16" centers, rear obrounds for cable management, and a pair of (6U) mounting rails. It shall have a load capacity of 200 lbs. when properly installed. Construction shall be 16-gauge certified U.S. steel with smooth black powder epoxy finish. It shall be manufactured in the U.S.A.

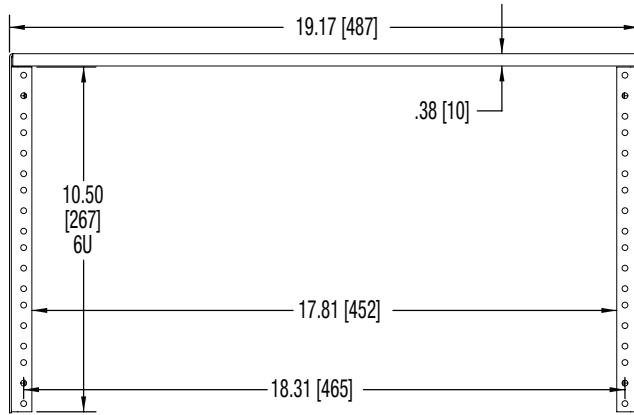
VR SERIES SUMMARY

Model No.	Panel Space	Overall Height	Overall Width	Overall Depth	Mtg. Rails	Load Capacity
VR-2	2 U	6.00 [152]	19.17 [487]	3.94 [100]	1 pr.	200 lbs. [90 kg]
VR-3	3 U	6.00 [152]	19.17 [487]	5.69 [145]	1 pr.	200 lbs. [90 kg]
VR-4	4 U	6.00 [152]	19.17 [487]	7.44 [189]	1 pr.	200 lbs [90 kg]
VR-6	6 U	7.75 [197]	19.17 [487]	10.94 [278]	1 pr.	200 lbs. [90 kg]

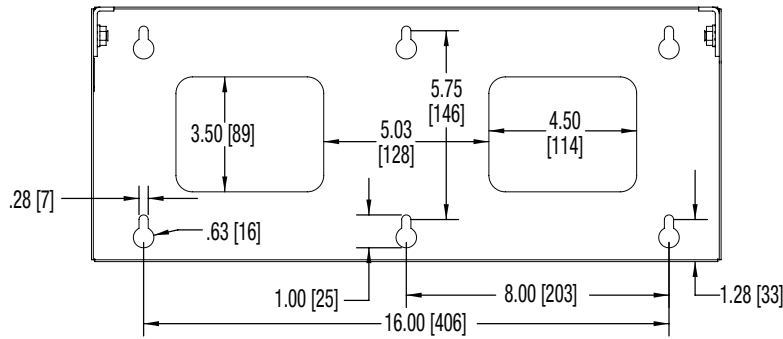
Rounded dimensions inches and [mm]; 1U = 1.75"

TECHNICAL DRAWINGS

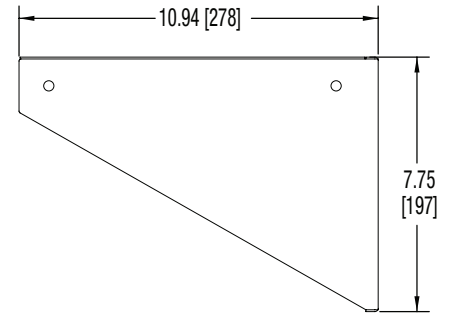
Dimensions are inches and [mm] unless stated otherwise.



TOP



REAR



SIDE

