

Rear view



INSTALLATION: Surface-mount
FOR SPEAKER SIZE: 8" EIA
FOR GRILLE TYPE: Screw-mount

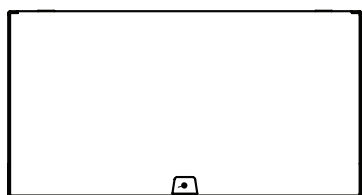
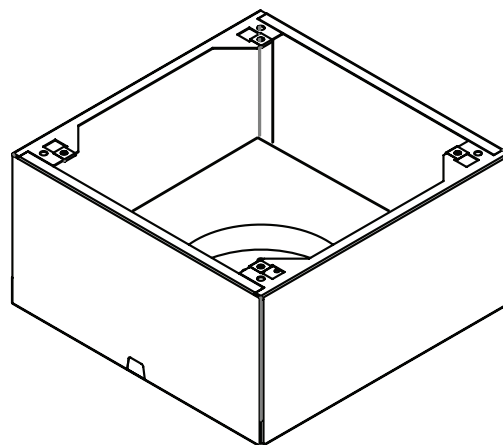
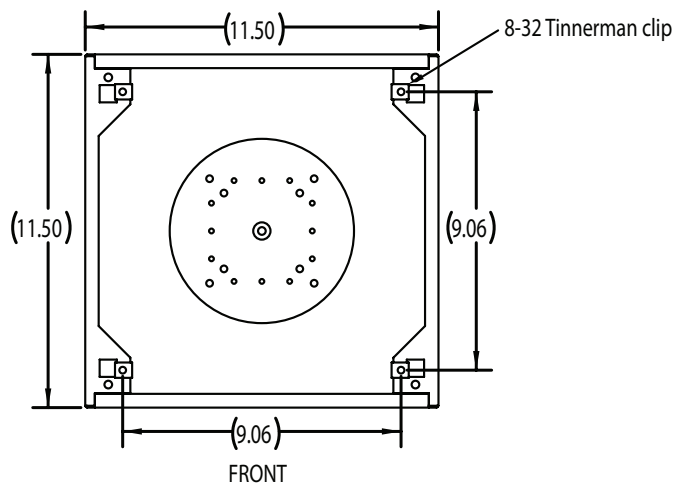
Surface-mount steel enclosure for ceiling or wall is designed to mount a screw-mount grille and standard 8" speaker. The clean square format is ideal for use in schools, offices, restaurants, hotels and similar venues.

FEATURES:

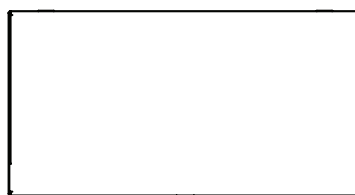
- **Construction:** 20-gauge U.S. steel construction with welded seams. White powder epoxy finish.
- **Length x Width:** 11.5" x 11.5"
- **Depth:** 6"D
- **Volume:** .459 cu.ft.
- **Acoustic Treatment:** 1" thick acoustic batting (yellow fiberglass)
- **Knockouts & Installation:** Enclosure does not include mounting hardware.
 - Wiremold 500 Series knockouts on two sides
 - Rear hole with grommet (0.375") for wire access
 - Universal mounting pattern in rear for installation to 4"square, 4"octagon, 1-gang or 2-gang electrical box.
 - Front formed flanges feature (4) 8-32 Tinnerman clips to accept a screw-mount grille.
- **Country of Origin:** Made in U.S.A.
- **A&E Specifications:** The surface-mount enclosure for use with 8" speaker and screw-mount grille shall be Lowell model CB86-SGA. It shall be 11.5" x 11.5" x 6" steel construction with white powder epoxy finish, four mounting holes, four 8-32 U-clips, a rear access hole with grommet, provisions to mount an electrical box, two side knockouts for Wiremold 500 Series, and 1" thick fiberglass acoustic batting. The enclosure shall be made in the U.S.A. with certified U.S. steel.

COMPATIBLE COMPONENTS (order separately):

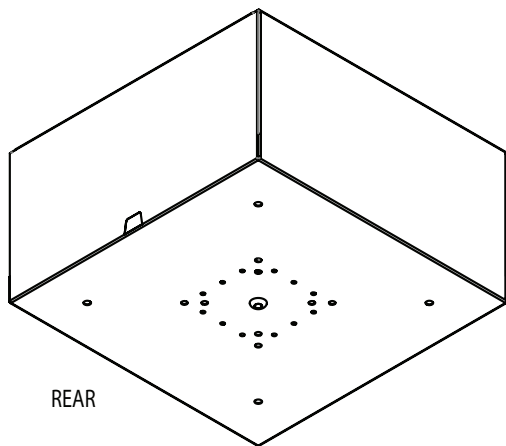
- Speakers: 8" EIA
- Grilles (screw-mount): SG-8, IC-105A
- Speaker+Grille Assemblies: R7810-72, R7810-72K



Wiremold 500 Series Knockout
(on 2 opposite sides)



Grommet for Wire Entry



Measurements are inches unless noted otherwise.

