

Rear view



INSTALLATION: Surface-mount
FOR SPEAKER SIZE: 8" EIA
FOR GRILLE TYPE: Screw-mount



Enclosure with grille
FW-8 (standard fit)



Enclosure with grille
JG-8X (staggered edge)

Surface-mount steel enclosure for ceiling or wall is designed to mount a screw-mount grille and standard 8" speaker. The clean square format is ideal for use in schools, offices, restaurants, hotels and similar venues.

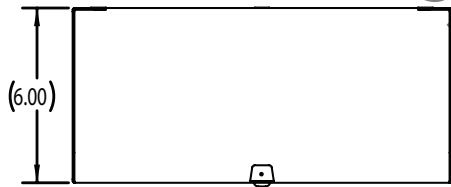
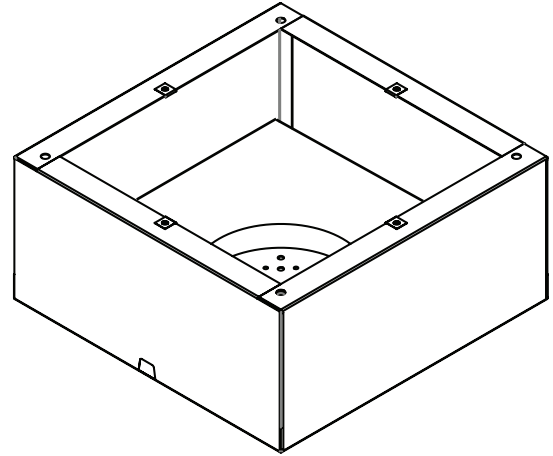
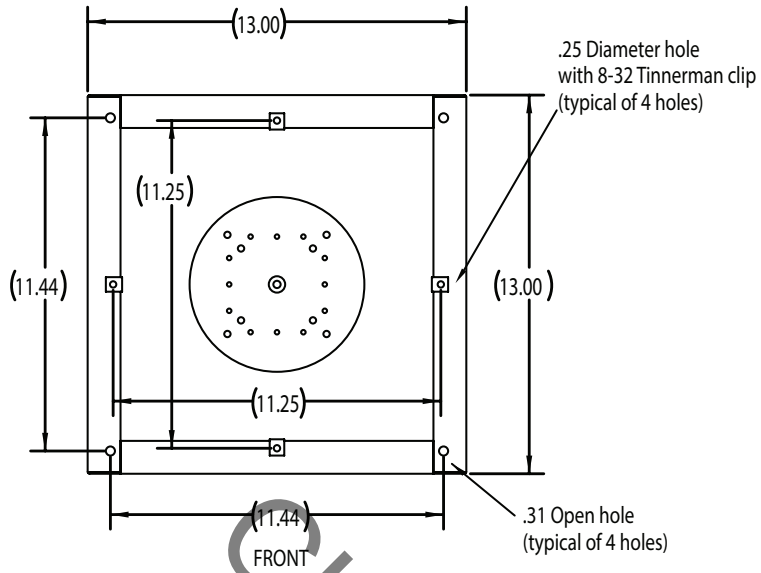
FEATURES:

- **Construction:** 20-gauge one-piece U.S. steel construction with welded seams. White powder epoxy finish.
- **Length x Width:** 13" x 13"
- **Depth:** 6"D
- **Volume:** .587 cu.ft.
- **Acoustic Treatment:** 1" thick acoustic batting (yellow fiberglass)
- **Knockouts & Installation:** This enclosure does not include mounting hardware.
 - Wiremold 500 Series knockouts on two sides
 - Rear hole with grommet (0.375") for wire access
 - Universal mounting pattern in rear for installation to 4"square, 4"octagon, 1-gang or 2-gang electrical box.
 - Front formed flanges feature (4) 8-32 Tinnerman clips to accept a screw-mount grille.
- **Country of Origin:** Made in U.S.A.
- **A&E Specifications:** The surface-mount enclosure for use with 8" speaker and screw-mount grille shall be Lowell model CB86A. It shall be 13" x 13" x 6" steel construction with white powder epoxy finish, four mounting holes, four 8-32 U-clips, a rear access hole with grommet, provisions to mount an electrical box, two side knockouts for Wiremold 500 Series, and 1" thick fiberglass acoustic batting. The enclosure shall be made in the U.S.A. with certified U.S. steel.

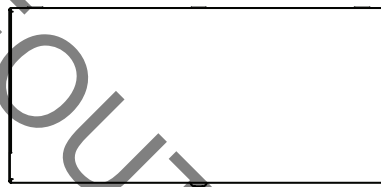
COMPATIBLE COMPONENTS (order separately):

- Speakers: 8" EIA
- Grilles (screw-mount): FW-8, JG-8X

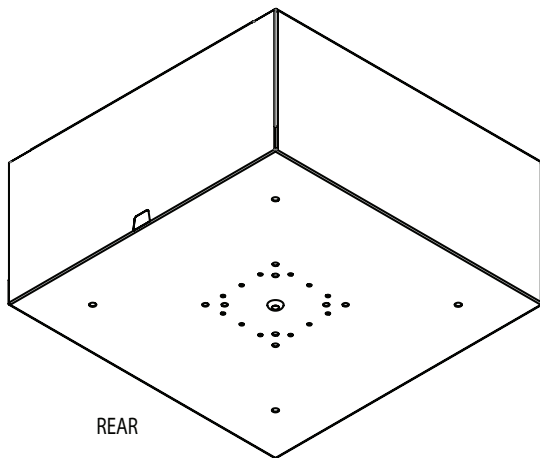
Note: The FW-8 grille is recommended for a standard grille appearance. The JG-8X grille can be used but leaves part of the box exposed for a staggered edge appearance. See photos at left.



Wiremold 500 Series Knockout (on 2 opposite sides)



Grommet for Wire Entry



Measurements are inches unless noted otherwise.

