

Model No.

# TLM-600A

Impedance Matching Transformer



Overall Height: 1.75 inch

Overall Depth: 5 inch

Overall Width: 3 inch

IMPEDANCE MATCHING TRANSFORMER Model TLM-600A is a streamlined device made to simplify wiring for 70V, 25V or 8 ohm speaker level conversion to amplifier input. Input pads (70V, 25V) can be added to the circuit simply by selecting positions on the two dip switches (no jumpers needed). A 100K ohm potentiometer and RCA connector are also permanently wired into the circuit (no jumpers needed).

Note that this simple design does not allow the transformer to be accessed directly via terminal strip connections due to pad resistors that are permanently wired in series with transformer wiring. High impedance to low impedance conversion is still possible through the transformer; however, this device is not recommended for exact 25K ohm to 600 ohm impedance matching.

## FEATURES

STEP DOWN 70V, 25V and 8 ohm speaker lines to feed amplifier inputs

FEED BALANCED LINES from amplifier output

CONVENIENT MOUNTING and connections

DETACHABLE Phoenix-style terminals and mounting holes for fast connection and convenient mounting to wall or rack panel with mounting holes for electronic accessories

POWER RATING 200mW max.

FREQUENCY RESPONSE 50Hz – 20kHz  $\pm 2$ dB

INSERTION LOSS 1.5dB @ 1kHz

WEIGHT 0.75 lbs.

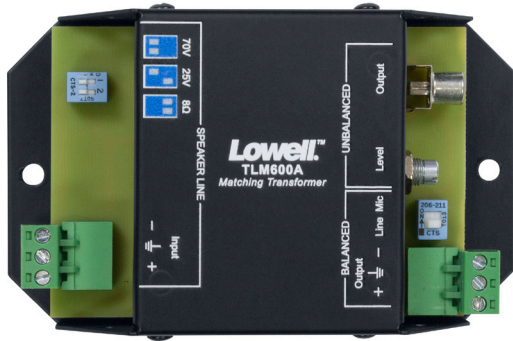
MADE IN U.S.A. with global components

## A&E SPECIFICATIONS

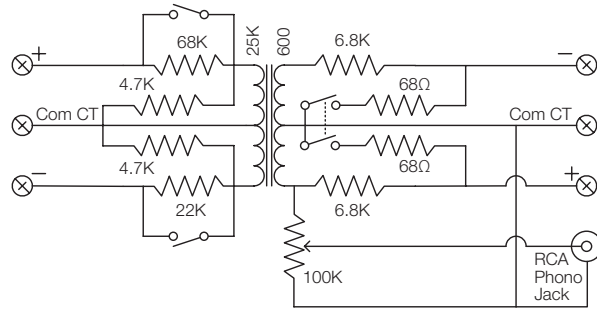
The impedance matching transformer shall be Lowell model TLM-600A. The device shall be made to simplify wiring for 70V, 25V or 8 ohm speaker level conversion to amplifier input. Input pads (70V, 25V) can be added to the circuit by selecting positions on two dip switches. The device shall also include a 100K ohm potentiometer and RCA connector permanently wired into the circuit. Connections to the transformer shall be made via detachable Phoenix-style terminal assembly. The transformer chassis shall be steel construction with black powder epoxy finish and holes for mounting to a wall or rack panel. Overall measurements shall be 5-in. by 3-in. by 1.75-in. The device shall be made in the U.S.A. with global components.

INTERNAL USE ONLY: PN 24414

## TOP VIEW

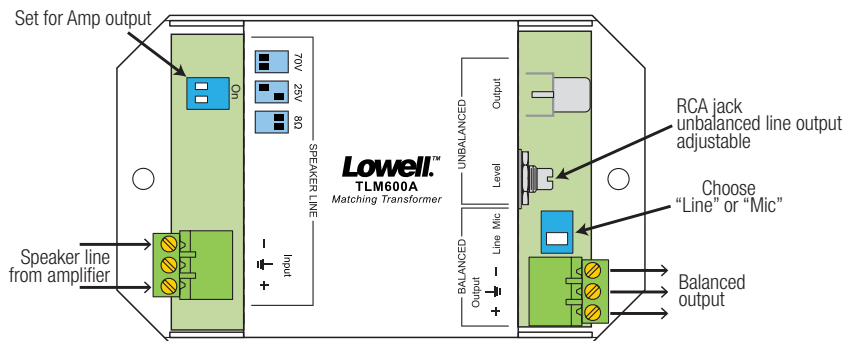


## SCHEMATIC

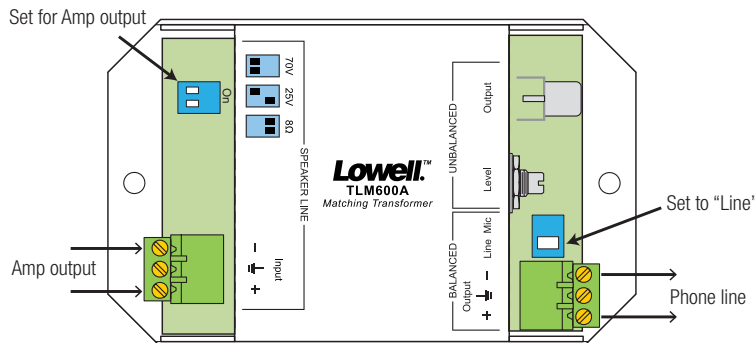


## TYPICAL APPLICATIONS

### SPEAKER LINE to AMPLIFIER INPUT



### DRIVE PHONE LINE from AMP OUTPUT



## ALTERNATE APPLICATIONS

