

Model No.

# P68XA

Enclosure for 8-inch Driver

INCLUDES:

- Galvanized steel enclosure
- Foam pad liner



THE GALVANIZED STEEL ENCLOSURE for recessed installation of an 8-inch E.I.A. speaker in a ceiling or wall features sides punched to mount optional retrofit brackets or support rails, to accommodate varied ceiling/wall thickness. Includes foam pad to help reduce acoustic or mechanical resonance.

## FEATURES:

**CONSTRUCTION:** 20-gauge galvanized steel with mounting holes to mount optional retrofit brackets or support rails.

**FOR USE WITH:** Enclosure will accommodate an 8-inch driver and screw-mount grille

**DIMENSIONS:** 10-inch square; 4-inch depth

**VOLUME:** 0.231 cu.ft.

**KNOCKOUTS:** Combination knockouts for conduit (1/2- and 3/4-in.) on two opposite sides and rear.

**ACOUSTIC TREATMENT:** Foam pad helps reduce acoustic or mechanical resonance.

**COUNTRY OF ORIGIN:** U.S.A.

## INSTALLATION:

**GRILLE:** The enclosure's corners have recessed tabs with Tinnerman clips to mount a compatible grille. The clips are recessed to assure protected access in plaster or poured concrete applications.

**OPTIONAL BRACKETS/SUPPORT RAILS:** Two opposite sides have multiple punched holes to mount —

- Retrofit bracket model SS9 for ceiling/wall thickness of 0.0, 0.25, 0.5, 0.75, 1.0, 1.25, 1.5, 1.75, 2.0, or 2.95 inches.
- Support rail models SS24, SS30, SS48 for ceiling tile thickness of 0.5, 0.75, 1.0, 1.25, 1.5, 1.75, or 2.0 inches.
- Note: Four #4 x 1/2-inch sheet metal screws are included with brackets and rails.

## A&E SPECIFICATIONS:

The enclosure for recessed installation of 8-inch speakers shall be Lowell model P68XA, which shall be 20-gauge galvanized steel measuring 10-in. x 10-in. x 4-in. It shall feature combination knockouts for conduit (1/2- and 3/4-in.) on two opposite sides and rear. It shall include recessed mounting tabs with Tinnerman clips, and a foam pad to help reduce acoustic/mechanical resonance.

## COMPATIBLE COMPONENTS: (ORDER SEPARATELY)

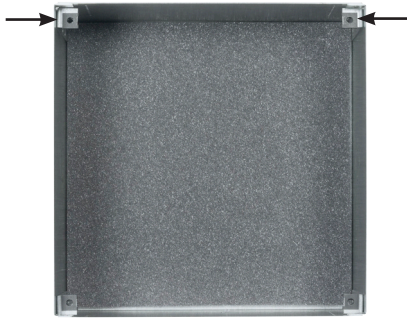
**SPEAKERS:** 8-inch E.I.A. speakers. Not for use with robust coaxial speakers (Lowell model 8A50, 8P100) which require more volume and depth greater than 4-inches.

**GRILLES (SCREW-MOUNT):** FW-8, JG-8X, SG-8, SG-8VP, IC-105A, VRG-8

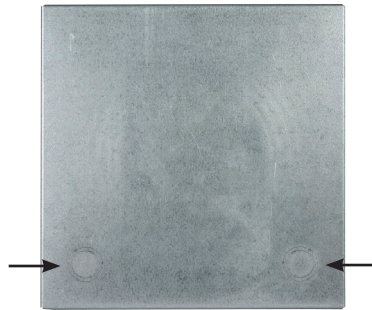
**SUPPORT RAILS:** SS24, SS30, SS48

**RETROFIT BRACKETS:** SS9

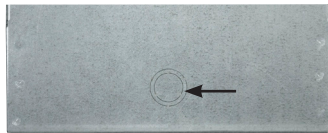
## FEATURES



Corner mounting tabs for grille installation. Foam pad in base.



Rear combination knockouts for 1/2- and 3/4-inch conduit



Two sides have combination knockouts for 1/2- and 3/4-inch conduit



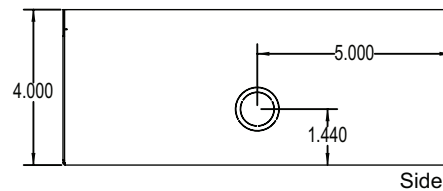
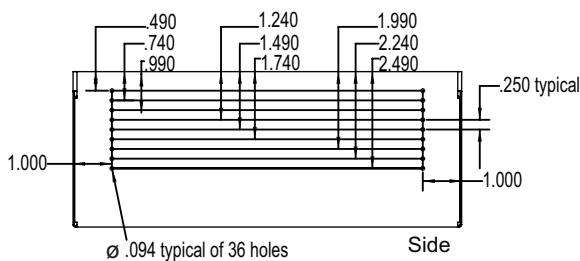
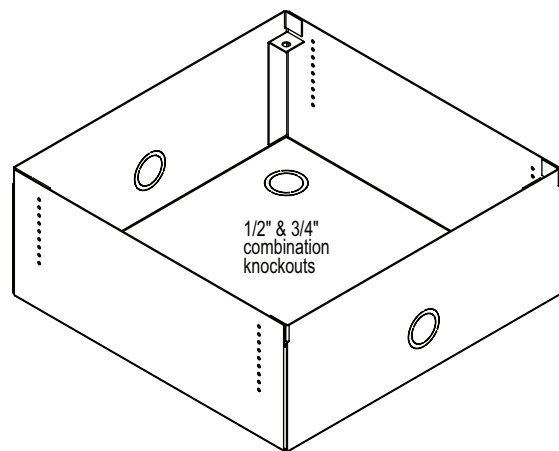
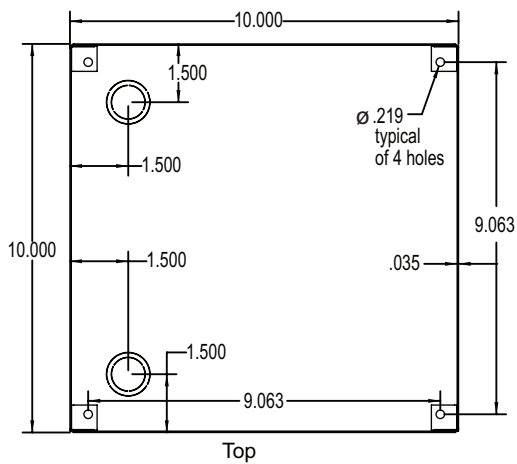
Two sides have mounting holes for optional retrofit brackets or support rails, which can be mounted to accommodate various depths of ceiling or wall.



(Retrofit bracket model SS9 shown)

## DRAWINGS

See dwg file online for more detailed information. (All measurements noted in inches.)



## P68XA SERIES OVERVIEW

<i>Model No.</i>	<i>Description</i>	<i>For Driver Size</i>	<i>For Grille Type</i>	<i>Material</i>	<i>Length</i>	<i>Width</i>	<i>Depth</i>	<i>Volume</i>	<i>Knockouts</i>	<i>Acoustic Treatment</i>
P68XA	Enclosure	8"	screw-mount	galvanized steel	10"	10"	4"	0.231 cu.ft.	sides/back	foam pad
P68XA-6	Enclosure	8"	screw-mount	galvanized steel	10"	10"	6"	0.347 cu.ft.	sides/back	foam pad

THIS  
SPEC

