



Smoked Plexiglass

Front door for Lowell slim frame racks can be mounted with left- or right-hand swing using specially designed door brackets. For use with Lowell slim frame rack series: LXR, LVR.

### FEATURES

- **Door Construction:**

- Steel frame with smoked plexiglass insert
- Black wrinkle powder epoxy finish
- 20.50"W x 1.38"D
- Swings open 180-degrees
- Integral recessed handle
- Keyed lock
- Made in the U.S.A. with certified U.S. steel



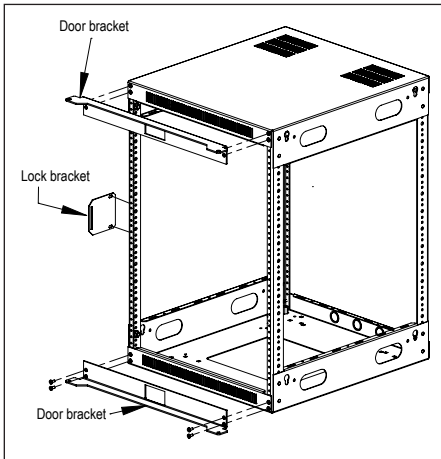
- **Mounting:** Mounts left or right and extends 1.38" from rack frame, providing approximately 1.25" space to accommodate equipment knobs. See install sheet for complete mounting instructions.

- **Includes:**

- Door brackets (1pr) to mount door to slim rack frame
- Lock bracket to secure door once attached to slim rack frame
- Mounting hardware

- **Optional:** (order separately)

- Extra Keys: #LK-FD (2 keys)



Included brackets are used to mount and lock door to slim frame racks (LXR, LVR Series)

### A&E SPECIFICATIONS

The slim frame rack shall include a front door, Lowell Model \_\_\_\_\_, which shall measure 20.50"W x 1.38"D x \_\_\_\_ rack units. Door construction shall be steel frame with smoked plexiglass insert. The door shall extend 1.38" from the rack frame. It shall mount with left- or right-hand swing and feature an integral recessed handle and lock.

### SERIES OVERVIEW

Model No.	RU	Overall Width	Overall Depth	Overall Height	Material
LXR-FD8P	8U	20.50 [521]	1.38 [35]	17.25 [438]	Steel Frame w/Smoked Plexi Glass Insert
LXR-FD14P	14U	20.50 [521]	1.38 [35]	27.75 [705]	Steel Frame w/Smoked Plexi Glass Insert
LXR-FD22P	22U	20.50 [521]	1.38 [35]	41.75 [1060]	Steel Frame w/Smoked Plexi Glass Insert
LXR-FD30P	30U	20.50 [521]	1.38 [35]	55.75 [1416]	Steel Frame w/Smoked Plexi Glass Insert
LXR-FD38P	38U	20.50 [521]	1.38 [35]	59.75 [1518]	Steel Frame w/Smoked Plexi Glass Insert
LXR-FD44P	44U	20.50 [521]	1.38 [35]	80.25 [2038]	Steel Frame w/Smoked Plexi Glass Insert

Dimensions = inches [mm]; 1U = 1.75"

