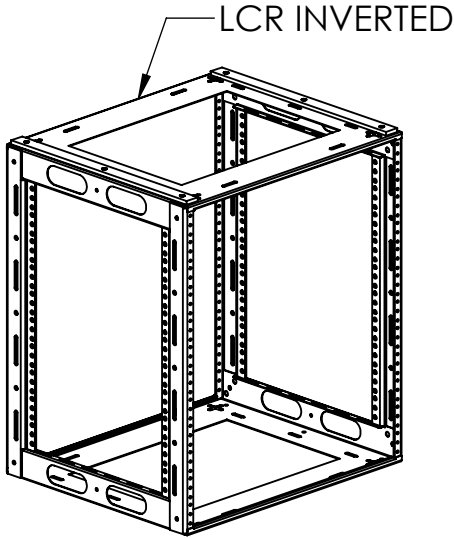


DELTRIN RUNNER KIT INSTALL SHEET FOR LCR SERIES OF RACKS



KIT CONTAINS THE FOLLOWING:

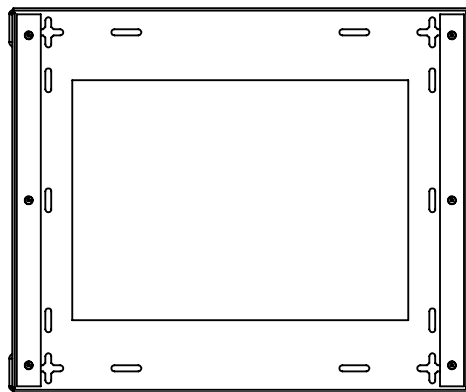
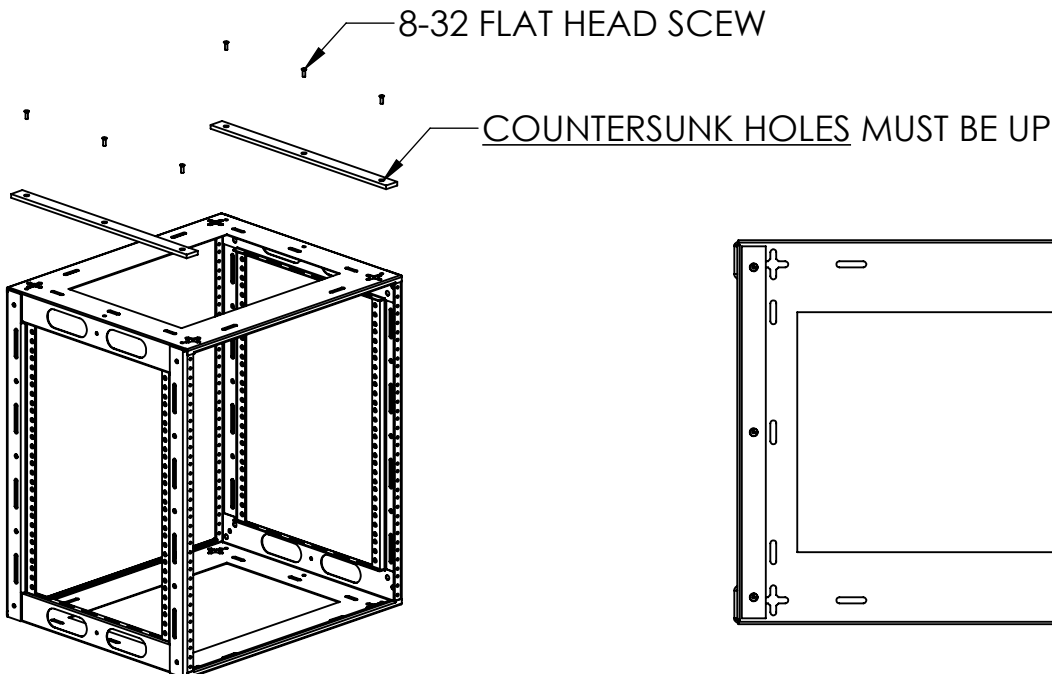
- (2) RUNNERS
- (6) 8-32 x 1/2" FLATHEAD SCREW (P/N: 8720)
- (6) 8-32 KEPS NUT (P/N: 2370)

RUNNER KIT INCLUDES
RUNNER STRIPS & MOUNTING HARDWARE

POSITION RUNNERS AS SHOWN
ALIGN COUNTERSUNK HOLES IN THE
RUNNER WITH HOLES IN THE BOTTOM
OF THE RACK.

INSERT 8-32 x 1/2" FLATHEAD SCREW
THROUGH RUNNER AND INTO THE HOLES
IN THE RACK.

SECURE SCREW WITH A 8-32 KEPS NUT
BUT DO NOT OVER TIGHTEN.



P/N 22782 10-7-21