

FDC1-KITT-MS



DC fan kits are ideal for spot cooling as they're designed to mount to special notches positioned along vents in many Lowell racks. This multi-fan kit (Model FDC1-KITT-MS) features a master fan with an extended thermostat probe plus a separate output that connects power to the included secondary fan.

### FEATURES

- **Includes:** Two fans with fan guards
- **Dimensions:** 4.875"W x 5.625"H x 1.875"D
- **Fan Diameter:** 4.7 in.
- **Airflow Rating:** 73 cfm
- **Noise Rating:** 33 dB
- **Power Required:** 100-240 VAC, 500mA
- **Fan Orientation:** Exhaust (pulls air out of cabinet)
- **Master Fan (1) Features:**
  - **Extended Thermostat Probe:** Variable-speed thermostat controls fan operation, activating fan when ambient temperature reaches the set point (adjustable, set at 70°, 80° or 90°F). Probe is positioned at end of 10-ft. cable to allow it to be repositioned within a rack.
- **Power Supply:** 100-240VAC input, 24VDC output, 500mA, 6 ft. cord, four plug adaptors (NEMA 1-15 for North America, Schuko CEE 7/16 for central Europe, BS1362 for the U.K., AS3112 for Australia/New Zealand). UL Listed.
- **Power Output:** 6 in. cord connects power to a secondary fan.
- **Secondary Fan (1) Features:**
  - **Power Input:** 6 in. cord with 8 ft. extension connects power from another fan.
  - **Power Output:** 6 in. cord connects power to a secondary fan.

### A & E SPECIFICATIONS:

The rack shall include Lowell fan kit Model FDC1-KITT-MS which shall include two (2) 4.7 in. dia. fans, each with its own housing (4.875"W x 5.625"H x 1.875"D) and fan guard. The master fan shall include a thermostat probe on 10-ft. extension to control fan operation, a power supply with 6 ft. cord, 4 plug adaptors, and a power output. The secondary fan shall include power input with 8 ft. extension (to connect to master fan), and power output.

### SERIES OVERVIEW

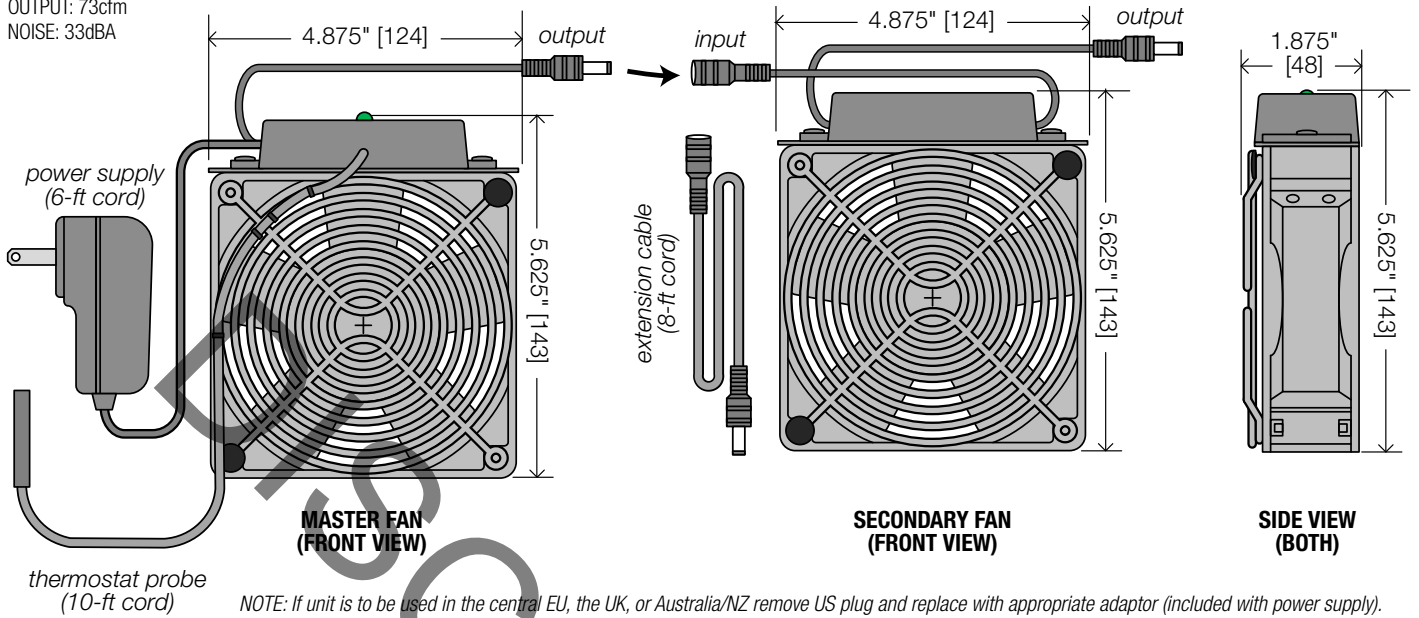
Model No.	Description	Power Output	Power Input	Power Supply	Thermostat Probe (on fan)	Thermostat Probe (on 10-ft extension)
FDC1-KITT	Stand-alone fan	no	no	yes	yes	no
FDC1-KIT-S	Secondary fan (for use with FDC1-KITT-MS for multi-fan applications)	yes	yes	no	no	no
FDC1-KITT-MS	1 master fan & 1 secondary fan (for multi-fan applications)	yes	yes	yes	no	yes



**TECHNICAL DRAWINGS** Dimensions are inches and [mm] unless stated otherwise.

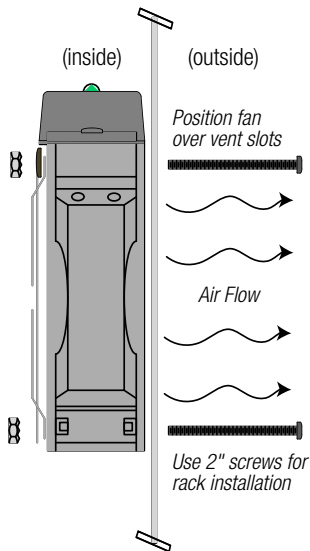
**FAN SPECS (EACH):**

POWER: 24VDC 150mA  
 OUTPUT: 73cfm  
 NOISE: 33dBA

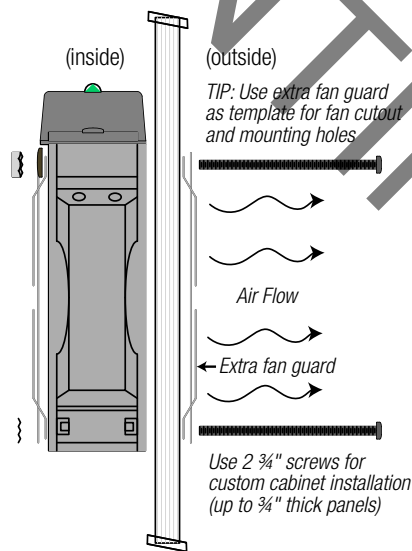


**INSTALLATION**

**RACK INSTALL**



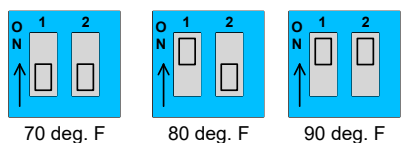
**CUSTOM CABINETY INSTALL**



**STEPS FOR INSTALLATION**

- 1) Position fan kit over ventilation slots in rack (or cutout in cabinetry) with finger guard side facing inside of cabinet.
- 2) Install two (2) screws through cabinet side and fan body into holes opposite the holes occupied by snap-rivets. Install nuts on screws finger tight.
- 3) Remove snap-rivets (Push out from behind with finger tip.)
- 4) Install remaining two (2) screws and nuts into holes previously occupied by snap-rivets.
- 5) Place the snap-rivets in your pocket; you may think of some future use for them.
- 6) Tighten all screws securely.
- 7) Plug power supply into appropriate receptacle.
- 8) Verify that green LED power indicator is 'on'.

**NOTE: Thermostat is factory set to turn on fan at approximately 80 degree F.** Turn-on temperature threshold can be changed by opening thermostat circuit housing (remove two screws) and changing switch settings as shown below.



**Power supply has a 1-3 second turn-on delay.**

Fan will at first turn on at full speed for 1-2 seconds as a self test and then revert to whatever speed is indicated by thermostat.

**THREE (3) FANS MAX (1 master, 2 secondary)**

If more than two secondary fans are required, power supply must be upgraded. For each additional fan, increase power supply capacity by minimum of 150mA.

Additional secondary fans sold separately.

