



FDC1-KITT

DC fan kits are ideal for spot cooling as they're designed to mount to special notches positioned along vents in many Lowell racks. Model FDC1-KITT is a stand-alone unit that includes a fan with guard, thermostat probe (for automatic activation), and power supply with 4 plug adaptors. Multi-fan kits are also available.

FEATURES

- **Dimensions:** 4.875"W x 5.625"H x 1.875"D
- **Includes:** Fan Guard
- **Fan Diameter:** 4.7 in.
- **Airflow Rating:** 73 cfm
- **Noise Rating:** 33 dBA
- **Power Required:** 100-240 VAC, 500mA
- **Thermostat Probe:** Variable-speed thermostat controls fan operation, activating fan when ambient temperature reaches the set point (adjustable, set at 70°, 80° or 90°F). Probe is set at rear of fan.
- **Power Supply:** 100-240VAC input, 24VDC output, 500mA, 6-ft. cord, four plug adaptors (NEMA 1-15 for North America, Schuko CEE 7/16 for central Europe, BS1362 for the U.K., AS3112 for Australia/New Zealand). UL Listed.
- **Fan Orientation:** Exhaust (pulls air out of cabinet)

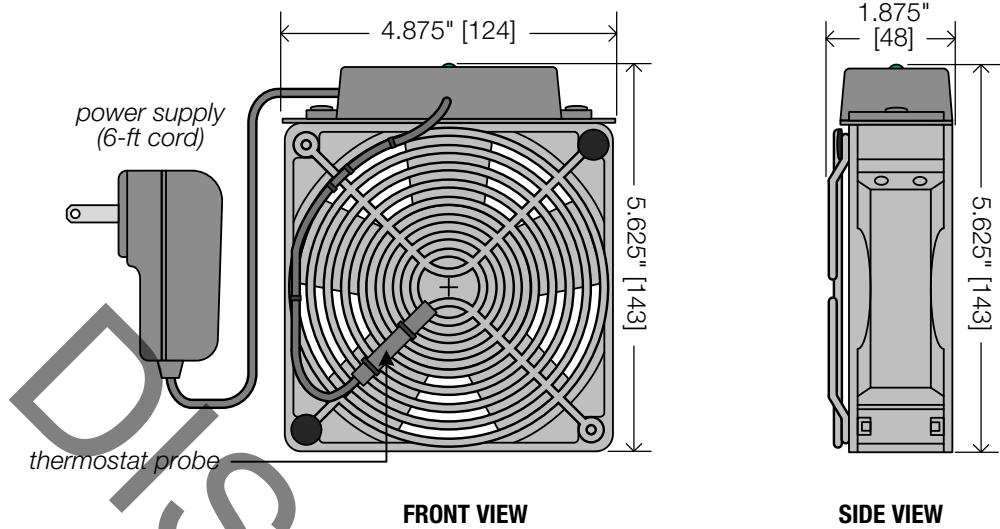
A & E SPECIFICATIONS:

The rack shall include Lowell fan Model FDC1-KITT. Housing shall measure 4.875"W x 5.625"H x 1.875"D. It shall include a 4.7" diameter fan (73 cfm airflow rating, 33dB noise rating), fan guard, thermostat probe (to control fan operation), power supply with 6-ft. cord, and 4 plug adaptors (NEMA 1-15, Schuko CEE 7/16, BS1362, AS3112). This unit shall include one LED.

SERIES OVERVIEW

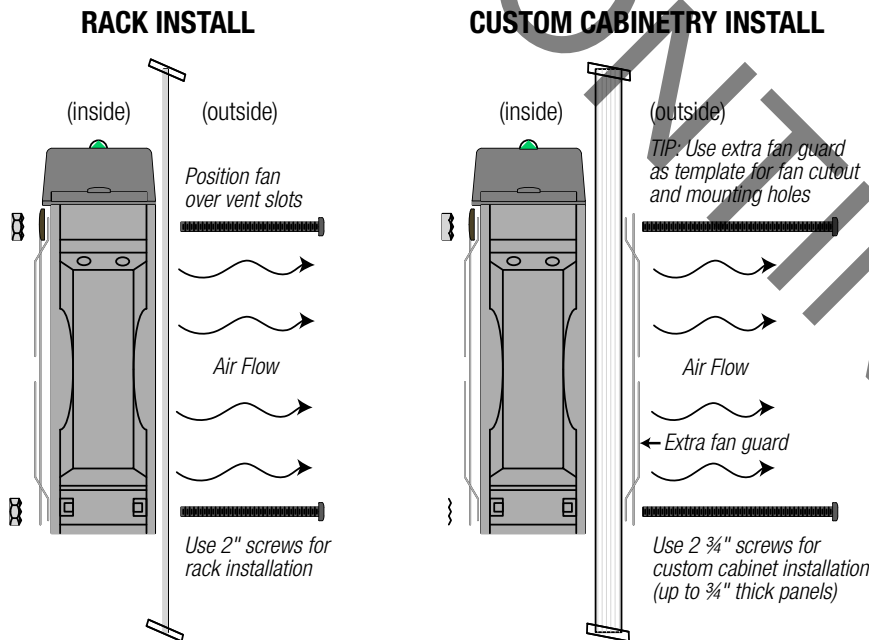
Model No.	Description	Power Output	Power Input	Power Supply	Thermostat Probe (on fan)	Thermostat Probe (on 10-ft extension)
FDC1-KITT	Stand-alone fan	no	no	yes	yes	no
FDC1-KIT-S	Secondary fan (for use with FDC1-KITT-MS for multi-fan applications)	yes	yes	no	no	no
FDC1-KITT-MS	1 master fan & 1 secondary fan (for multi-fan applications)	yes	yes	yes	no	yes





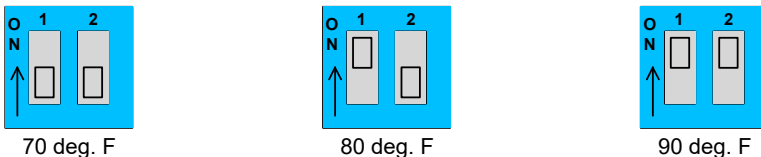
INSTALLATION

NOTE: If unit is to be used in the central EU, the UK, or Australia/NZ remove US plug and replace with appropriate adaptor (included with power supply).



- 1) Position fan kit over ventilation slots in rack (or cutout in cabinetry) with finger guard side facing inside of cabinet.
- 2) Install two (2) screws through cabinet side and fan body into holes opposite the holes occupied by snap-rivets. Install nuts on screws finger tight.
- 3) Remove snap-rivets (Push out from behind with finger tip.)
- 4) Install remaining two (2) screws and nuts into holes previously occupied by snap-rivets.
- 5) Place the snap-rivets in your pocket; you may think of some future use for them.
- 6) Tighten all screws securely.
- 7) Plug power supply into appropriate receptacle.
- 8) Verify that green LED power indicator is 'on'.

NOTE: Thermostat is factory set to turn on fan at approximately 80 degree F.
 Turn-on temperature threshold can be changed by opening thermostat circuit housing (remove two screws) and changing switch settings as shown below.



NOTE: Power supply has a 1-3 second turn-on delay.
 Fan will at first turn on at full speed for 1-2 seconds as a self test and then revert to whatever speed is indicated by thermostat.

