

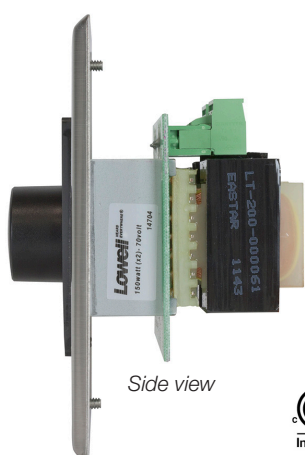
Model No.

150LVCS-DSB

Stereo Volume Control

INCLUDES:

- 150W stereo attenuator
- 2-gang decorator-style wall plate
- Rotary knob



150W STEREO ATTENUATOR is engineered for three types of 70V applications—distributed mono systems, distributed mono systems with subwoofer, and distributed stereo systems. This unit includes a two-gang decorator-style stainless steel wall plate and rotary knob.

FEATURES

DESCRIPTION: Stereo autoformer attenuator for use with 70V speaker line

POWER RATING: 150W

ATTENUATION: 3dB per step (33dB total with two steps of 6dB each before off)

TERMINATION: Phoenix style plug-in screw termination strips for pre-wire convenience

WIRE CAPACITY: Up to 14-gauge

SWITCH TYPE: Rotary knob, black

SWITCH POSITIONS: 0-max (10)

WALL PLATE: Two-gang decorator-style wall plate, stainless steel wall plate with black subplate.

INSTALLATION: Designed to fit two-gang E.O. box with minimum depth of 2.5 inches including mud ring, if used. (not included)

COMPLIANCE & CERTIFICATIONS:

- ETL Listed (to UL 60065, UL 2043)
- Assembled in U.S.A. (U.S. stainless steel wall plate and Chinese components)

A&E SPECIFICATIONS

The stereo autoformer attenuator volume control for distributed mono systems, distributed mono systems with subwoofer, or distributed stereo applications shall be Lowell model 150LVCS-DSB, with power rating of 150W per channel and 3dB per step attenuation with two positions of 6dB before off. The volume control shall have plug-in termination for up to 14-gauge wire for 70V input connections (from an amplifier), and 70V output (to a speaker/transformer assembly). It shall include a two-gang decorator-style stainless steel wall plate with black subplate and rotary knob.

OPTIONS

P1X-2: Two-gang surface-mount steel wall box with knockouts and white powder epoxy finish. Includes U-clips.

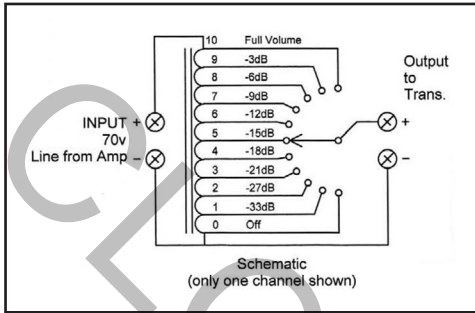
MODEL SUMMARY

| Model No. | Power Rating | Attenuation Steps* | Type | Priority Relay | Mount Type | Plate Size | Color | Switch | Listing | For Use With |
|-------------|--------------|--------------------|------------|----------------|----------------------|------------|------------|--------|---------|------------------|
| 150LVCS-DSB | 150 W | 3 dB | autoformer | --- | decorator wall plate | 2-gang | ss / black | knob | ETL | 70V speaker line |

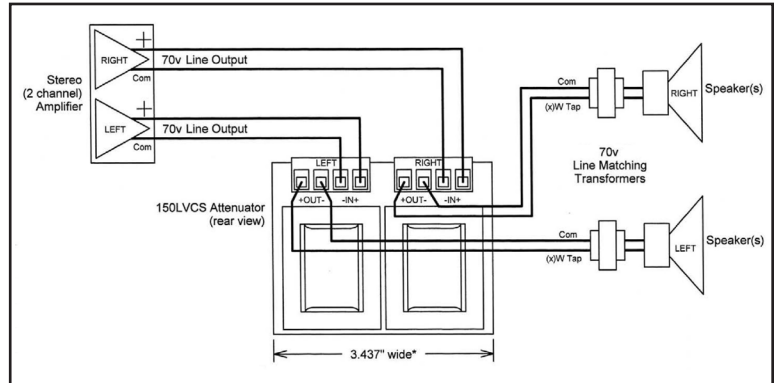
* 33dB total; 2 steps of 6dB each before off.; ss = stainless steel

DRAWINGS

SCHEMATIC (ONE CHANNEL):



WIRING:



APPLICATIONS:

