

Model No.

100LVC-PA-DB

Volume Control with Bypass

INCLUDES:

- 100W attenuator
- 1-gang decorator-style wall plate
- Rotary knob



100W ATTENUATOR WITH PRIORITY RELAY (EMERGENCY BYPASS) provides precise level adjustment of single or multiple speaker lines. This unit includes a one-gang decorator-style black wall plate with black rotary knob.

FEATURES

DESCRIPTION: Mono autoformer attenuator with emergency bypass for use with 25V/70V speaker line

EMERGENCY BYPASS (PRIORITY RELAY): 24VDC @15mA relay for applications requiring emergency and paging signals to bypass or override the control.

POWER RATING: 100W

ATTENUATION: 3dB per step (33dB total with two steps of 6dB each before off)

TERMINATION: Phoenix style plug-in screw termination strips for pre-wire convenience

WIRE CAPACITY: Up to 14-gauge

SWITCH TYPE: Rotary knob, black

SWITCH POSITIONS: Off-max (10)

WALL PLATE: One-gang decorator-style wall plate, black. 2.75 in. x 4.5 in.

INSTALLATION: Designed to fit a one-gang E.O. box with minimum depth of 2.125-inches (not included)

COMPLIANCE & CERTIFICATIONS:

- ETL Listed. Conforms to UL 60065 / UL 2043. Certified to CSA 22.2 #60065.
- Assembled in U.S.A. (Chinese components)

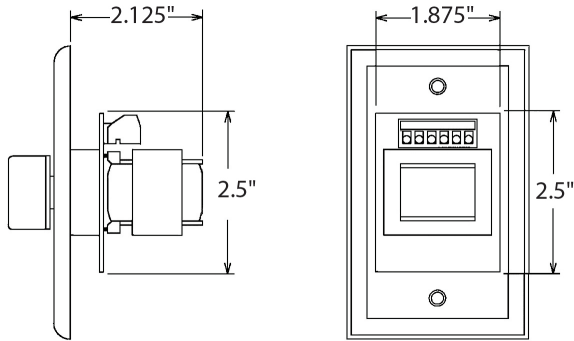
A&E SPECIFICATIONS

The volume control shall be Lowell model 100LVC-PA-DB, which shall have a 100W power rating and attenuation of 3dB per step with two steps of 6dB each before off. The volume control shall feature an emergency bypass (24VDC@15mA relay) and include a one-gang decorator-style black wall plate with rotary knob.

OPTIONS

P1X: One-gang surface-mount steel wall box with knockouts and white powder epoxy finish. Includes U-clips.

DRAWINGS



Mounts E.O. Boxes:

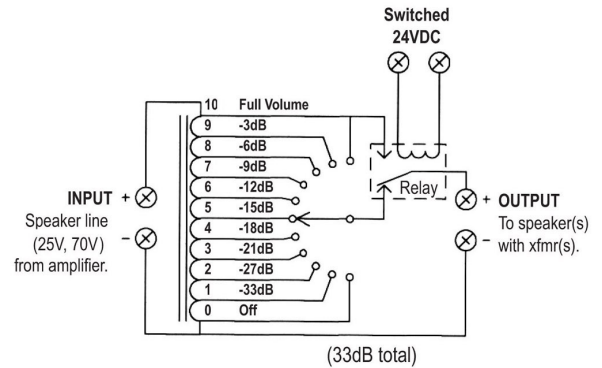
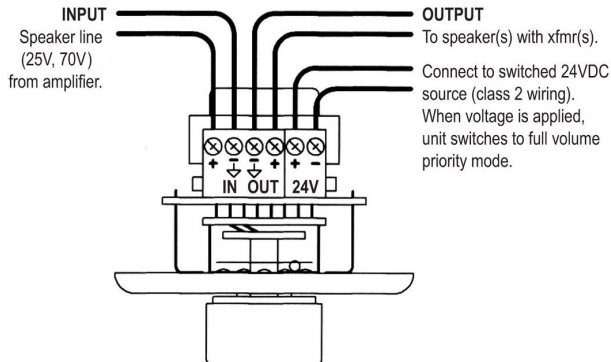
- Lowell surface box (P1X)
- 4" Sq. x 2.125"D with raised mud ring (RACO 232, 235, or equiv.)
- One-gang handy box 2.125"D (RACO 670, 671, 678, or equiv.)

Note: Lowell 100W LVC volume controls are deeper than other LVC models so a one-gang handy box will allow only minimal room for control and wiring.

Models with a decorator-style wall plate used in multi-device installations (multi-gang trim plate by others) also accept:

- Two-gang switch box 2.125"D (RACO 680, 681, 683, 685, or equiv.)
- Multi-gang switch box 2.5"D (RACO 686, 687, or equiv.)

Wiring and Schematics



OVERVIEW: MONO ATTENUATORS

Model No.	Power Rating	Attenuation Steps*	VC Type	Priority Relay	Mount Type**	Plate Size	Color	Switch	Listing	For Use With
10LVC	10 W	3 dB	autoformer	---	standard wall plate	1-gang	ss	knob	----	25V/70V speaker line
25LVC	25 W	3 dB	autoformer	---	standard wall plate	1-gang	ss	knob	ETL	25V/70V speaker line
25LVC-SA	25 W	3 dB	autoformer	---	standard wall plate	1-gang	almond	knob	ETL	25V/70V speaker line
25LVC-SW	25 W	3 dB	autoformer	---	standard wall plate	1-gang	white	knob	ETL	25V/70V speaker line
25LVC-DA	25 W	3 dB	autoformer	---	decorator wall plate	1-gang	almond	knob	ETL	25V/70V speaker line
25LVC-DB	25 W	3 dB	autoformer	---	decorator wall plate	1-gang	black	knob	ETL	25V/70V speaker line
25LVC-DW	25 W	3 dB	autoformer	---	decorator wall plate	1-gang	white	knob	ETL	25V/70V speaker line
25LVC-DSB	25 W	3 dB	autoformer	---	decorator wall plate	1-gang	ss / black	knob	ETL	25V/70V speaker line
25LVC-DSW	25 W	3 dB	autoformer	---	decorator wall plate	1-gang	ss / white	knob	ETL	25V/70V speaker line
25LVC-RM	25 W	3 dB	autoformer	---	adhesive label	---	black	knob	ETL	25V/70V speaker line
50LVC	50 W	3 dB	autoformer	---	standard wall plate	1-gang	ss	knob	ETL	25V/70V speaker line
50LVC-SA	50 W	3 dB	autoformer	---	standard wall plate	1-gang	almond	knob	ETL	25V/70V speaker line
50LVC-SW	50 W	3 dB	autoformer	---	standard wall plate	1-gang	white	knob	ETL	25V/70V speaker line
50LVC-DA	50 W	3 dB	autoformer	---	decorator wall plate	1-gang	almond	knob	ETL	25V/70V speaker line
50LVC-DB	50 W	3 dB	autoformer	---	decorator wall plate	1-gang	black	knob	ETL	25V/70V speaker line
50LVC-DW	50 W	3 dB	autoformer	---	decorator wall plate	1-gang	white	knob	ETL	25V/70V speaker line
50LVC-RM	50 W	3 dB	autoformer	---	adhesive label	---	black	knob	ETL	25V/70V speaker line
100LVC	100 W	3 dB	autoformer	---	standard wall plate	1-gang	ss	knob	ETL	25V/70V speaker line
100LVC-SA	100 W	3 dB	autoformer	---	standard wall plate	1-gang	almond	knob	ETL	25V/70V speaker line
100LVC-SW	100 W	3 dB	autoformer	---	standard wall plate	1-gang	white	knob	ETL	25V/70V speaker line
100LVC-DA	100 W	3 dB	autoformer	---	decorator wall plate	1-gang	almond	knob	ETL	25V/70V speaker line
100LVC-DB	100 W	3 dB	autoformer	---	decorator wall plate	1-gang	black	knob	ETL	25V/70V speaker line
100LVC-DW	100 W	3 dB	autoformer	---	decorator wall plate	1-gang	white	knob	ETL	25V/70V speaker line
100LVC-DSB	100 W	3 dB	autoformer	---	decorator wall plate	1-gang	ss / black	knob	ETL	25V/70V speaker line
100LVC-DSW	100 W	3 dB	autoformer	---	decorator wall plate	1-gang	ss / white	knob	ETL	25V/70V speaker line
100LVC-RM	100 W	3 dB	autoformer	---	adhesive label	---	black	knob	ETL	25V/70V speaker line
10015LVC	100 W	1.5 dB	autoformer	---	standard wall plate	1-gang	ss	knob	ETL	25V/70V speaker line
10015LVC-SW	100 W	1.5 dB	autoformer	---	standard wall plate	1-gang	white	knob	ETL	25V/70V speaker line
10015LVC-DB	100 W	1.5 dB	autoformer	---	decorator wall plate	1-gang	black	knob	ETL	25V/70V speaker line
10015LVC-DW	100 W	1.5 dB	autoformer	---	decorator wall plate	1-gang	white	knob	ETL	25V/70V speaker line
10015LVC-RM	100 W	1.5 dB	autoformer	---	adhesive label	---	black	knob	ETL	25V/70V speaker line
100LVC-PA	100 W	3 dB	autoformer	yes	standard wall plate	1-gang	ss	knob	ETL	25V/70V speaker line
100LVC-PA-SW	100 W	3 dB	autoformer	yes	standard wall plate	1-gang	white	knob	ETL	25V/70V speaker line
100LVC-PA-DA	100 W	3 dB	autoformer	yes	decorator wall plate	1-gang	almond	knob	ETL	25V/70V speaker line
100LVC-PA-DB	100 W	3 dB	autoformer	yes	decorator wall plate	1-gang	black	knob	ETL	25V/70V speaker line
100LVC-PA-DW	100 W	3 dB	autoformer	yes	decorator wall plate	1-gang	white	knob	ETL	25V/70V speaker line
100LVC-PA-RM	100 W	3 dB	autoformer	yes	adhesive label	---	black	knob	ETL	25V/70V speaker line
KL100-DB	100 W	3 dB	autoformer	---	decorator wall plate	1-gang	black	key	ETL	25V/70V speaker line
KL100-DI	100 W	3 dB	autoformer	---	decorator wall plate	1-gang	ivory	key	ETL	25V/70V speaker line
KL100-DW	100 W	3 dB	autoformer	---	decorator wall plate	1-gang	white	key	ETL	25V/70V speaker line
KL100-DSB	100 W	3 dB	autoformer	---	decorator wall plate	1-gang	ss / black	key	ETL	25V/70V speaker line
KL100-DSW	100 W	3 dB	autoformer	---	decorator wall plate	1-gang	ss / white	key	ETL	25V/70V speaker line
200LVC	200 W	3 dB	autoformer	---	standard wall plate	2-gang	ss	knob	ETL	70V speaker line
200LVC-DSB	200 W	3 dB	autoformer	---	decorator wall plate	2-gang	ss / black	knob	ETL	70V speaker line
200LVC-RM	200 W	3 dB	autoformer	---	adhesive label	---	black	knob	ETL	70V speaker line
200LVC-RMDB	200 W	3 dB	autoformer	---	subplate	---	black	knob	ETL	70V speaker line
KL100-PA-DSB	100 W	3 dB	autoformer	yes	decorator wall plate	1-gang	ss / black	key	ETL	70V speaker line
KL100-PA-DSW	100 W	3 dB	autoformer	yes	decorator wall plate	1-gang	ss / white	key	ETL	70V speaker line
KL200-DSB	200W	3 dB	autoformer	---	decorator wall plate	2-gang	ss / black	key	ETL	70V speaker line
SVC100-PA-DW	100W	3 dB	autoformer	yes	decorator wall plate	1-gang	white	slide-bar	ETL	70V speaker line

THIS SPEC

* Note: Models with 33dB total have 2 steps of 6dB each before off. ** Adhesive labels are used in rackmount panels or custom applications. ss = stainless steel