

Model No.

KL100-DSB

Volume Control with Key Switch

INCLUDES:

- 100W attenuator
- 1-gang decorator-style wall plate
- Keys



Side view



100W ATTENUATOR WITH KEY SWITCH allows precise level adjustment of single or multiple speaker lines and is advantageous for maintaining listening levels for music, paging or sound masking. This unit includes a one-gang decorator style wall plate and key switch.

FEATURES

DESCRIPTION: Mono autoformer attenuator with key switch for use with 25V/70V speaker line

POWER RATING: 100W

ATTENUATION: 3dB per step (33dB total with two steps of 6dB each before off)

TERMINATION: Phoenix style plug-in screw termination strips for pre-wire convenience

WIRE CAPACITY: Up to 14-gauge

SWITCH TYPE: Key

SWITCH POSITIONS: 0-max (10)

WALL PLATE: One-gang decorator-style wall plate, stainless steel with white subplate. 2.75-in. x 4.5-in.

INSTALLATION: Designed to fit a one-gang E.O. box with minimum depth of 2.125-inches (box not included)

COMPLIANCE & CERTIFICATIONS:

- ETL Listed. Conforms to UL 60065 / UL 2043. Certified to CSA 22.2 #60065.
- Assembled in U.S.A. (U.S. stainless steel plate with Chinese components)

A&E SPECIFICATIONS

The mono autoformer attenuator volume control shall be Lowell model KL100-DSB with 100W power rating, 3dB per step attenuation with two steps of 6dB each before off, and 0-max (10) switch positions. It shall feature phoenix style plug-in screw termination strips for pre-wire with capacity up to 14-gauge. It shall include a one-gang decorator style stainless steel wall plate with black subplate. Volume adjustment shall be controlled by a key.

OPTIONS

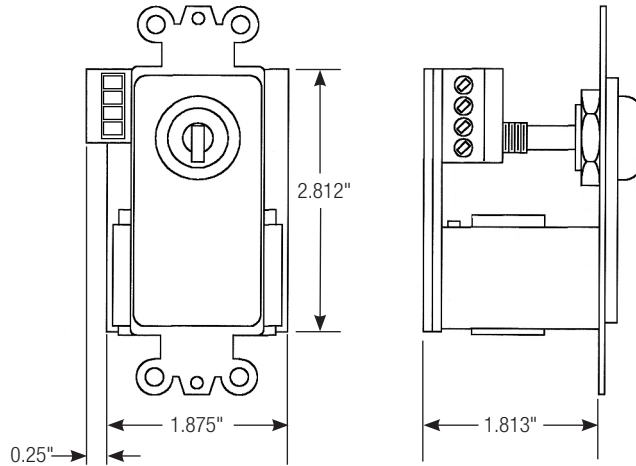
P1X: One-gang surface-mount steel wall box with knockouts and white powder epoxy finish. Includes U-clips.

KL-ANP2 Adaptor Plate: Two-gang stainless steel wall plate will retrofit a one-gang volume control to fit a two-gang box.

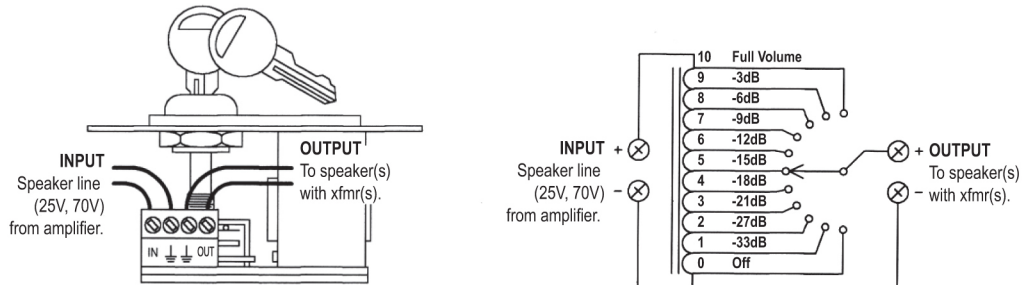
D8P-ID-3 Rack Panel: 19 inch x 3U steel panel is designed to hold up to eight decorator style volume controls by mounting the subplate only (outer plate is not used).

DRAWINGS

KL100 Series volume controls are designed to mount to most standard recessed E.O. boxes with minimum opening of 2.50"W x 2.812"H x 2.125"D, or Lowell one-gang surface-mount box model P1X.



Wiring & Schematics: KL100 Series volume controls (without priority paging feature).



OVERVIEW: MONO ATTENUATORS

Model No.	Power Rating	Attenuation Steps*	VC Type	Priority Relay	Mount Type**	Plate Size	Color	Switch	Listing	For Use With
10LVC	10 W	3 dB	autoformer	---	standard wall plate	1-gang	ss	knob	----	25V/70V speaker line
25LVC	25 W	3 dB	autoformer	---	standard wall plate	1-gang	ss	knob	ETL	25V/70V speaker line
25LVC-SA	25 W	3 dB	autoformer	---	standard wall plate	1-gang	almond	knob	ETL	25V/70V speaker line
25LVC-SW	25 W	3 dB	autoformer	---	standard wall plate	1-gang	white	knob	ETL	25V/70V speaker line
25LVC-DA	25 W	3 dB	autoformer	---	decorator wall plate	1-gang	almond	knob	ETL	25V/70V speaker line
25LVC-DB	25 W	3 dB	autoformer	---	decorator wall plate	1-gang	black	knob	ETL	25V/70V speaker line
25LVC-DW	25 W	3 dB	autoformer	---	decorator wall plate	1-gang	white	knob	ETL	25V/70V speaker line
25LVC-DSB	25 W	3 dB	autoformer	---	decorator wall plate	1-gang	ss / black	knob	ETL	25V/70V speaker line
25LVC-DSW	25 W	3 dB	autoformer	---	decorator wall plate	1-gang	ss / white	knob	ETL	25V/70V speaker line
25LVC-RM	25 W	3 dB	autoformer	---	adhesive label	---	black	knob	ETL	25V/70V speaker line
50LVC	50 W	3 dB	autoformer	---	standard wall plate	1-gang	ss	knob	ETL	25V/70V speaker line
50LVC-SA	50 W	3 dB	autoformer	---	standard wall plate	1-gang	almond	knob	ETL	25V/70V speaker line
50LVC-SW	50 W	3 dB	autoformer	---	standard wall plate	1-gang	white	knob	ETL	25V/70V speaker line
50LVC-DA	50 W	3 dB	autoformer	---	decorator wall plate	1-gang	almond	knob	ETL	25V/70V speaker line
50LVC-DB	50 W	3 dB	autoformer	---	decorator wall plate	1-gang	black	knob	ETL	25V/70V speaker line
50LVC-DW	50 W	3 dB	autoformer	---	decorator wall plate	1-gang	white	knob	ETL	25V/70V speaker line
50LVC-RM	50 W	3 dB	autoformer	---	adhesive label	---	black	knob	ETL	25V/70V speaker line
100LVC	100 W	3 dB	autoformer	---	standard wall plate	1-gang	ss	knob	ETL	25V/70V speaker line
100LVC-SA	100 W	3 dB	autoformer	---	standard wall plate	1-gang	almond	knob	ETL	25V/70V speaker line
100LVC-SW	100 W	3 dB	autoformer	---	standard wall plate	1-gang	white	knob	ETL	25V/70V speaker line
100LVC-DA	100 W	3 dB	autoformer	---	decorator wall plate	1-gang	almond	knob	ETL	25V/70V speaker line
100LVC-DB	100 W	3 dB	autoformer	---	decorator wall plate	1-gang	black	knob	ETL	25V/70V speaker line
100LVC-DW	100 W	3 dB	autoformer	---	decorator wall plate	1-gang	white	knob	ETL	25V/70V speaker line
100LVC-DSB	100 W	3 dB	autoformer	---	decorator wall plate	1-gang	ss / black	knob	ETL	25V/70V speaker line
100LVC-DSW	100 W	3 dB	autoformer	---	decorator wall plate	1-gang	ss / white	knob	ETL	25V/70V speaker line
100LVC-RM	100 W	3 dB	autoformer	---	adhesive label	---	black	knob	ETL	25V/70V speaker line
10015LVC	100 W	1.5 dB	autoformer	---	standard wall plate	1-gang	ss	knob	ETL	25V/70V speaker line
10015LVC-SW	100 W	1.5 dB	autoformer	---	standard wall plate	1-gang	white	knob	ETL	25V/70V speaker line
10015LVC-DB	100 W	1.5 dB	autoformer	---	decorator wall plate	1-gang	black	knob	ETL	25V/70V speaker line
10015LVC-DW	100 W	1.5 dB	autoformer	---	decorator wall plate	1-gang	white	knob	ETL	25V/70V speaker line
10015LVC-RM	100 W	1.5 dB	autoformer	---	adhesive label	---	black	knob	ETL	25V/70V speaker line
100LVC-PA	100 W	3 dB	autoformer	yes	standard wall plate	1-gang	ss	knob	ETL	25V/70V speaker line
100LVC-PA-SW	100 W	3 dB	autoformer	yes	standard wall plate	1-gang	white	knob	ETL	25V/70V speaker line
100LVC-PA-DA	100 W	3 dB	autoformer	yes	decorator wall plate	1-gang	almond	knob	ETL	25V/70V speaker line
100LVC-PA-DB	100 W	3 dB	autoformer	yes	decorator wall plate	1-gang	black	knob	ETL	25V/70V speaker line
100LVC-PA-DW	100 W	3 dB	autoformer	yes	decorator wall plate	1-gang	white	knob	ETL	25V/70V speaker line
100LVC-PA-RM	100 W	3 dB	autoformer	yes	adhesive label	---	black	knob	ETL	25V/70V speaker line
KL100-DB	100 W	3 dB	autoformer	---	decorator wall plate	1-gang	black	key	ETL	25V/70V speaker line
KL100-DI	100 W	3 dB	autoformer	---	decorator wall plate	1-gang	ivory	key	ETL	25V/70V speaker line
KL100-DW	100 W	3 dB	autoformer	---	decorator wall plate	1-gang	white	key	ETL	25V/70V speaker line
KL100-DSB	100 W	3 dB	autoformer	---	decorator wall plate	1-gang	ss / black	key	ETL	25V/70V speaker line
KL100-DSW	100 W	3 dB	autoformer	---	decorator wall plate	1-gang	ss / white	key	ETL	25V/70V speaker line
200LVC	200 W	3 dB	autoformer	---	standard wall plate	2-gang	ss	knob	ETL	70V speaker line
200LVC-DSB	200 W	3 dB	autoformer	---	decorator wall plate	2-gang	ss / black	knob	ETL	70V speaker line
200LVC-RM	200 W	3 dB	autoformer	---	adhesive label	---	black	knob	ETL	70V speaker line
200LVC-RMDB	200 W	3 dB	autoformer	---	subplate	---	black	knob	ETL	70V speaker line
KL100-PA-DSB	100 W	3 dB	autoformer	yes	decorator wall plate	1-gang	ss / black	key	ETL	70V speaker line
KL100-PA-DSW	100 W	3 dB	autoformer	yes	decorator wall plate	1-gang	ss / white	key	ETL	70V speaker line
KL200-DSB	200W	3 dB	autoformer	---	decorator wall plate	2-gang	ss / black	key	ETL	70V speaker line
SVC100-PA-DW	100W	3 dB	autoformer	yes	decorator wall plate	1-gang	white	slide-bar	ETL	70V speaker line

THIS SPEC

* Note: Models with 33dB total have 2 steps of 6dB each before off. ** Adhesive labels are used in rackmount panels or custom applications. ss = stainless steel