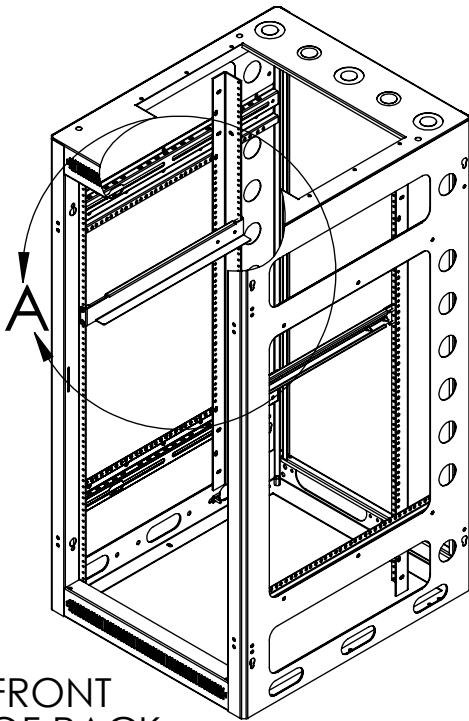
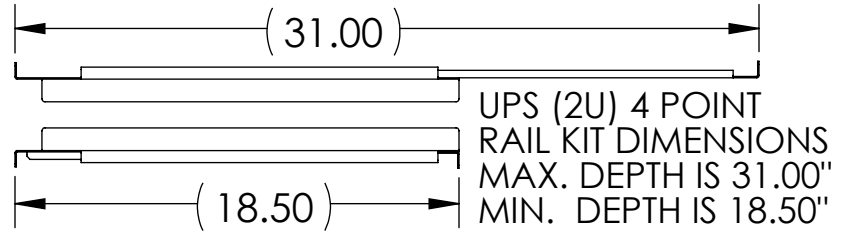


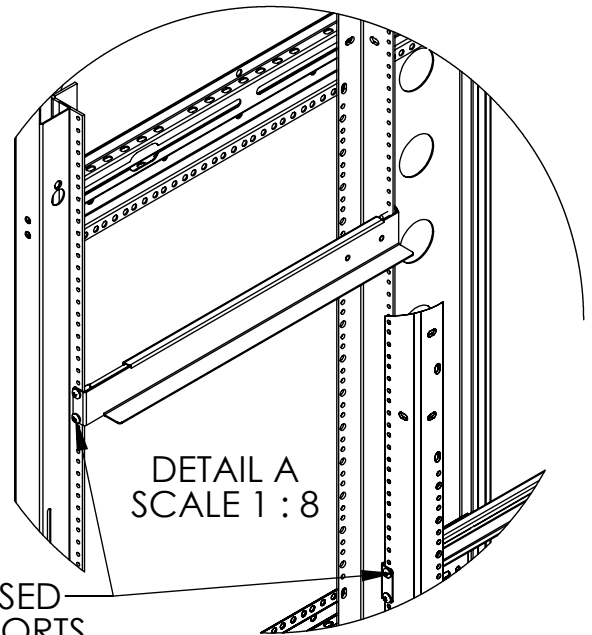
INSTALL SHEET FOR UPS 4 POINT RAIL KIT

STEP 1: INSTALL LEFT & RIGHT SUPPORT ASSEMBLIES AS SHOWN (DETAIL "A")

STEP 2: INSTALL UPS INTO RACK AND SECURE AS SHOWN. (DETAIL "B")
NOTE: EARS TO BE INSTALLED ON UPS PRIOR TO BEING PLACED IN RACK



FRONT OF RACK



STEP 1:
10-32 SCREWS USED TO INSTALL SUPPORTS FRONT & REAR OF RACK

DETAIL "B" FRONT OF RACK WITH UPS IN LOADED POSITION

