

Kit for single 4.7" [119mm] diameter fan with 50cfm airflow rating and quiet 28dBA noise rating is great for spot cooling. The cast aluminum housing is 4.7" square x 1.5"D [120mm square x 38mm]. It includes a fan guard and green "thermo-cord" which has an integral thermostat to control fan operation. The thermostat automatically turns fans on when the ambient temperature reaches 86°F [30°C] and off when the temperature reaches 72°F [22°C]. This power saving feature ensures efficient operation while saving wear and tear on the unit.

FEATURES

- Made in the U.S.A. with domestic and foreign components.
- Cast aluminum housing with black finish
- Includes 6-ft. [1829mm] green "thermo-cord" which has an integral thermostat probe to control fan operation – automatically turning on/off when ambient temperature hits pre-set points. Fans activate when temperature is 86°F [30°C] and turn off when temperature is 72°F [22°C].
- Mount to vent pattern of Lowell side panels for quick field installation without drilling.
- Fan Diameter: 4.7" [120mm]
- Airflow Rating: 50 cfm
- Noise Rating: 28 dBA
- Power Required: 5.5 watts

OPTIONAL

- Model No. FW-FF: Filter for 4.7" [120mm] diameter fan

A & E SPECIFICATIONS

Model FW1-KITT: The single fan kit shall have a 4.7" square x 1.5"D [120mm square x 38mm] cast aluminum housing with black finish, 4.7" [120mm] diameter fan with 50cfm airflow and 28dBA noise rating, and 6-ft. [1829mm] green "thermo-cord" with plug, which includes an integral thermostat probe to control fan activation.



Model FW1-KITT



Optional: Fan filter, model FW-FF.

SERIES OVERVIEW

Model No.	Panel Description	Height x Width (square)	Fan Quantity	Total Airflow	Total Noise Rating	Power Required	Cord Type
FW1-KIT	Single Fan Kit	4.7 in. / 119mm	1	50cfm	28dBA	5.5 watts	standard (black)
FW1-KITT	Single Fan Kit with thermostat	4.7 in. / 119mm	1	50cfm	28dBA	5.5 watts	thermostat (green)

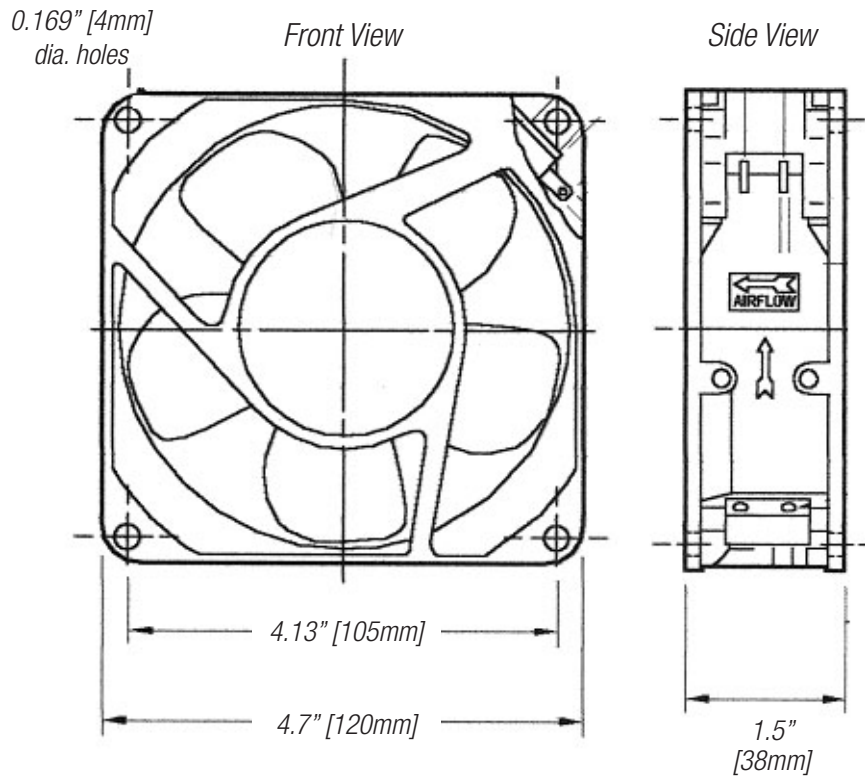
Optional:

FW-FF	Fan filter
-------	------------

One rack unit (RU or U) = 1.75 inches or 44.45 mm. Some measurement have been rounded.



TECHNICAL DRAWINGS Dimensions are inches and [mm] unless stated otherwise.



INSTALLATION GUIDE

