

INSTALLATION SHEET FOR IBOX-2 (2 Cubic Foot Enclosure) & IBOX-3 (3 Cubic Foot Enclosure)

FIGURE 1



TOP VIEW
IBOX-2

BOTTOM VIEW



INSTALLATION SAFETY NOTE: The IBOX-2 and IBOX-3 speaker enclosures must be installed by a qualified professional installer. The enclosures must be installed in accordance with all local, state, and federal building codes and regulations, and the installation must conform with industry standard practices. Lowell Manufacturing recommends that a safety factor of at least X5 be used when designing any speaker rigging system whenever speakers are installed over-head. It is also recommended that a safety cable be attached to heavy drivers and transformers when they are installed in the IBOX-2 and IBOX-3 enclosures. It is the responsibility of the installer to consult a Licensed Structural Engineer to verify the structural integrity and safety of any mounting method before installation. After installation, inspect the rigging system regularly and replace worn or damaged rigging components immediately.

Installing in an Open Architecture Ceiling:

The IBOX-2 (Speaker Enclosure with 2 Cu. Ft. Volume) shown in **FIGURE 1**, and the IBOX-3 (Speaker Enclosure with 3 Cu. Ft. Volume) shown in **FIGURE 2**, are equipped with four (4) 1/4-20 load rated threaded inserts in the rear of the enclosure. As shipped from the factory, 1/4-20 load-rated forged shoulder eyebolts have been provided in those threaded inserts, which can be used to suspend the enclosure using four (4) load-rated aircraft cables for an exposed open-architecture ceiling installation.

Installing in a Lay-In Tile Ceiling:

The IBOX-2 and IBOX-3 speaker enclosures are 23.75" wide so they will fit between the T-bar supports of a 2' X 2' or a 2' X 4' lay-in tile ceiling. Cut a 14.5" X 14.5" square hole in the ceiling tile at the center of the desired enclosure location so that the front lip of the enclosure will fit through the hole and the front lip of the enclosure will be flush with the bottom of the ceiling tile. **Important Safety Note:** Although the enclosure can lightly rest on the tile ceiling just to maintain its location in relation to the lay-in tile, the entire weight of the enclosure and its contents must be supported by the four (4) load-rated aircraft cables or other rigging hardware that is attached to the four (4) threaded insert points that are provided on the rear of the IBOX-2 and IBOX-3.

Installing in a Drywall Ceiling, Plaster Ceiling, or other Hard Ceiling:

For rough-in before a drywall or other hard ceiling is to be installed, most installers choose to remove the 1/4-20 eyebolts from the rear of the enclosure and use those threaded inserts to attach the enclosure to Unistrut or other load-rated rigging hardware so it will span the structure that will support the drywall or other ceiling. Position the enclosure so that the front lip of the enclosure will be flush with the finished ceiling when it is installed. The ceiling installers will typically run their router along the downward protruding lip of the enclosure to cut out the required square hole so the drywall or other hard ceiling material can be screwed in place.

Transformer Mounting Plate and Rear Cover Plate:

The IBOX-2 and IBOX-3 enclosures include a rear transformer mounting plate that is shown in **FIGURE 3**. With hardware supplied by the installer, a speaker matching transformer (furnished by the installer) can be attached to the brackets of this mounting plate. The hole patterns provided on the transformer mounting plate brackets will accept all of Lowell Manufacturing's speaker matching transformers. As an example, the Lowell TLS10070 transformer is shown attached to the mounting plate in **FIGURE 3**. When shipped from the factory, the transformer mounting plate is mounted to the rear of the IBOX-2 and IBOX-3 enclosures with the 4" X 4" cover plate installed as shown in **FIGURE 4**. It is easiest to remove the four 8-32 screws that hold the transformer mounting plate to the rear of the enclosure so that the installer can easily mount a transformer to the mounting brackets. The rear cover plate shown in **FIGURE 4** includes a 1/2" conduit knockout which can be removed and replaced with a bushing to protect the speaker cable, or with a 1/2" Romex connector as shown in **FIGURE 5**. The knock-out can also be replaced with a fitting for flexible conduit if required. If solid EMT conduit is required, after the enclosures have been installed, a 4" X 4" extension ring (furnished by the installer) can be used to pipe in and out of the speaker enclosure and then the provided rear cover plate can be mounted to the extension ring. An exploded view of the extension ring, EMT conduit, and cover plate is shown in **FIGURE 6**.

Speaker Grille (Purchase separately):

A Lowell FW12 (unported) or FW12Q (ported) grille assembly (purchased separately) will mount a 12" driver to the six (6) Tinnerman clips on the front lip of the IBOX-2 or IBOX-3 enclosure. Other industry standard grilles can be mounted to the IBOX-2 or IBOX-3. See the IBOX specification sheets for grille mounting dimensions.

FIGURE 2



TOP VIEW
IBOX-3

BOTTOM VIEW



FIGURE 3



Shown with Lowell TLS10070
Transformer Mounted
(Transformer
not Included)

FIGURE 4

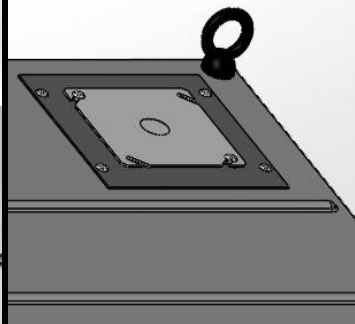


FIGURE 5

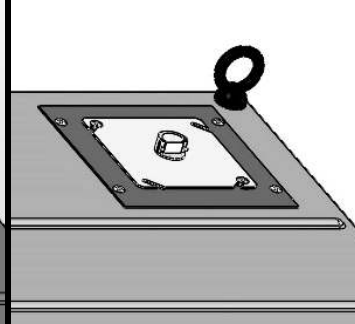


FIGURE 6

