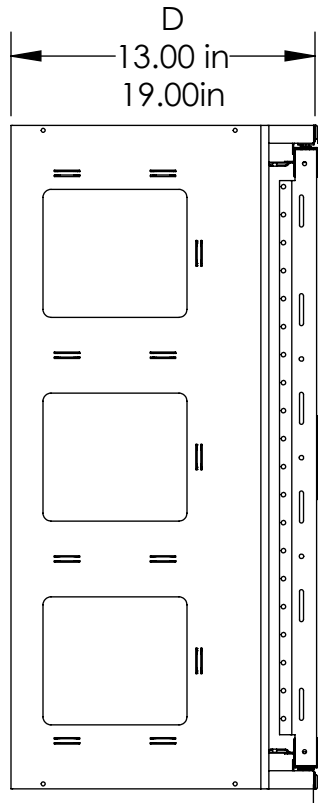
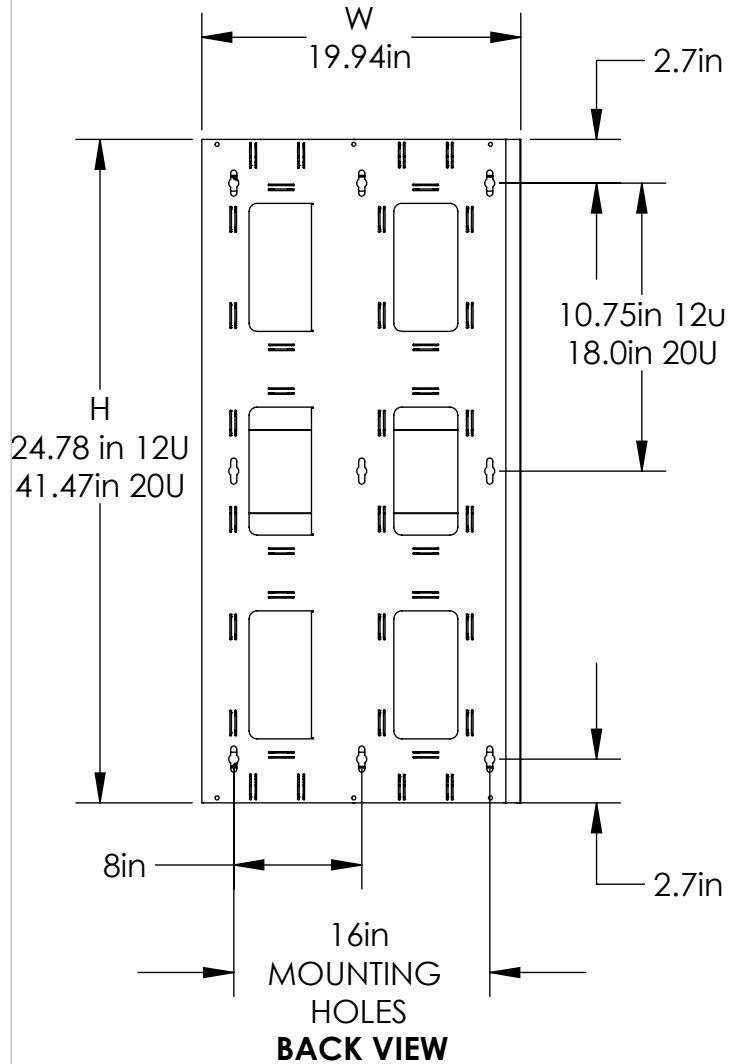
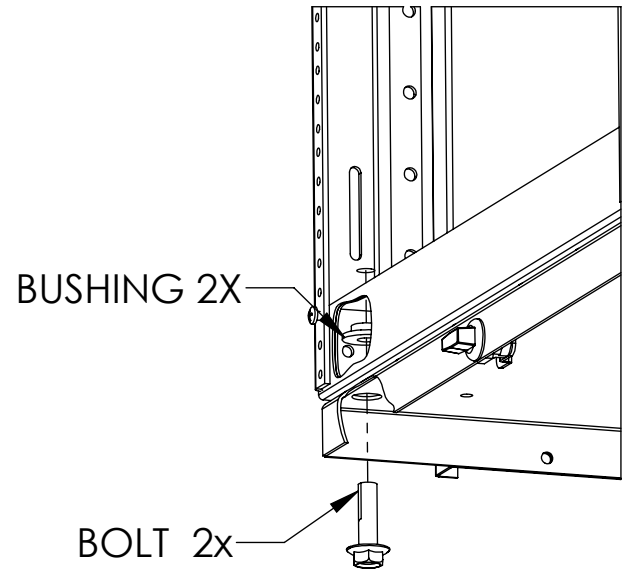


SGR SERIES INSTALLATION

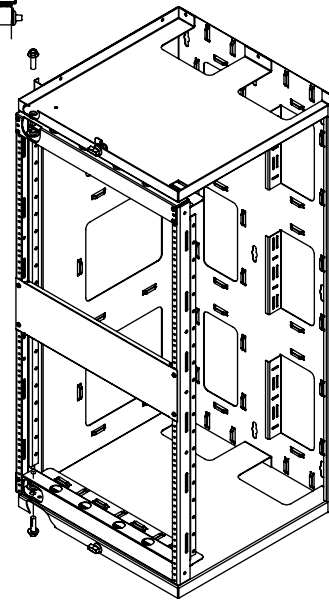
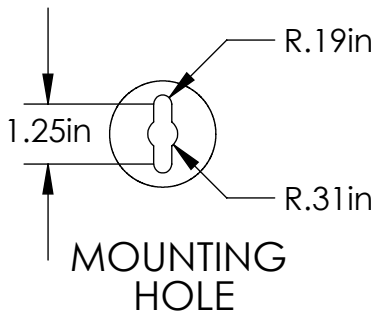
PN:21776



BOLT FRAME TO BACK SECTION



BOTTOM ASSEMBLY SHOW TOP ASSEMBLY IS INVERTED



P/N: SGR-2018 SHOWN FOR REF

TITLE:

SGR-SERIES

DWG. NO.

21776

REV

A

DATE: 5-11-16

SCALE: 1:8

SHEET 1 OF 1