

Model KSB21 base



Order sides separately for complete rackmount shelf.

The KS series allows mix-and-match versatility achieving various shelf sizes (base + sides), while providing cost efficient shipping and storage. Model KSB21 is a vented 21"D base. Add 2U, 3U or 4U sides to create a rackmount shelf.

NOTE: BASE AND SIDES ORDERED SEPARATELY.

FEATURES

- **Material:** 16-gauge certified U.S. steel
- **Finish:** Smooth black powder epoxy finish
- **Depth:** 21"
- **Width:** 17.50" (without shelf sides)
- **Hardware:** L-brackets and mounting hardware ships with base
- **Load Capacity:** 50 or 70 lbs. depending on configuration (see chart)
- **Origin:** Made in the U.S.A.
- **A&E Specifications:** The rackmount shelf shall consist of Lowell vented base model KSB21 and sides model _____ (ordered separately). The shelf shall be 16-gauge certified U.S. steel with smooth black powder epoxy finish. When assembled, the shelf shall measure _____ (2, 3, 4) rack units and have overall depth of 21". Load capacity shall be _____ (50 lbs., 70 lbs.). The shelf shall be manufactured in the U.S. A.

OPTIONS

- **KTSB:** Clamping bracket secures equipment at the top. Includes mounting hardware.

Model summary

BASE

Model No.	Description	Depth	Width
KSB21	Base for KS series rack shelf	21"	17.50"

SIDES (REQUIRED) - ordered separately

Model No.	Description	Depth	Width	RU
KSE2X	Sides (1 pr) for KS series rack shelf	18"	.88"	2U
KSE3X	Sides (1 pr) for KS series rack shelf	18"	.88"	3U
KSE4X	Sides (1 pr) for KS series rack shelf	18"	.88"	4U

SHELF SUMMARY (field assembly required)

Width (base + sides)	Load Capacity (base + sides)
19"W	50 lbs
19"W	70 lbs
19"W	70 lbs

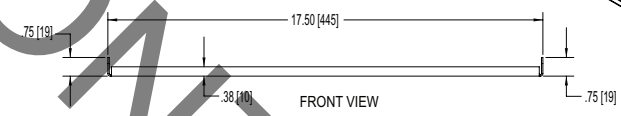
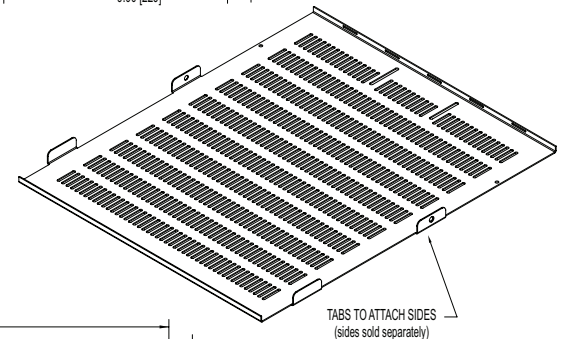
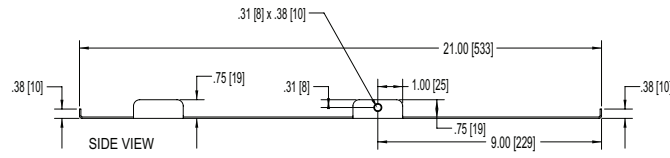
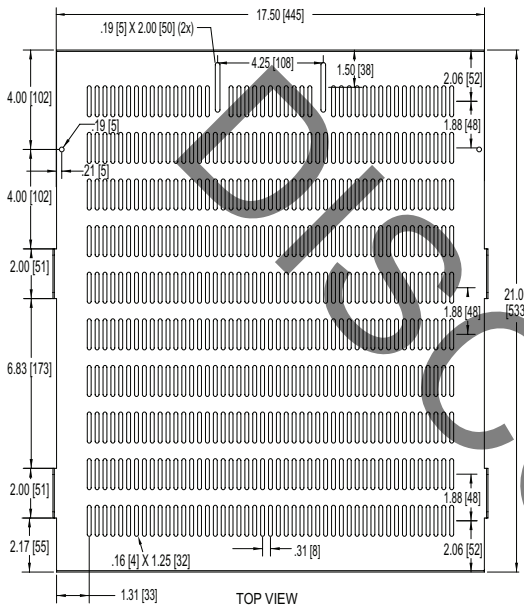
OPTIONAL

KSTB	Clamping bracket to help secure equipment to KS series shelf
------	--

Dimension = inches; 1U = 1.75"

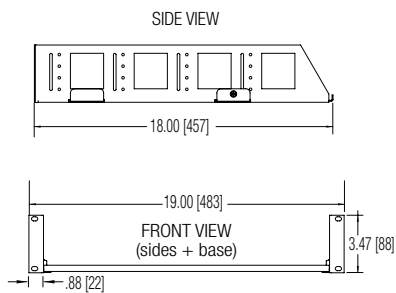
SIDES REQUIRED
 (ORDER SEPARATELY)
 see available options below

Model KSB21

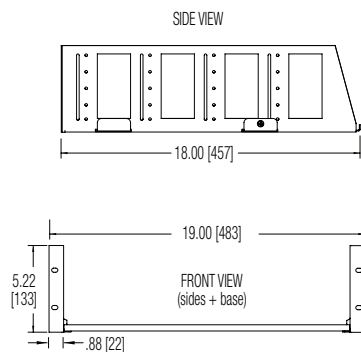


SIDES (ordered separately)

Model KSE2X



Model KSE3X



Model KSE3X

