

Model KSB14 base



The KS series allows mix-and-match versatility achieving various shelf sizes (base + sides), while providing cost efficient shipping and storage. Model KSB14 is a vented 14"D base. Add 2U, 3U or 4U sides to create a rackmount shelf.

NOTE: BASE AND SIDES ORDERED SEPARATELY.

### FEATURES

- **Material:** 16-gauge certified U.S. steel
- **Finish:** Smooth black powder epoxy finish
- **Depth:** 14"
- **Width:** 17.50" (without shelf sides)
- **Hardware:** L-brackets and mounting hardware ships with base
- **Load Capacity:** 50 or 70 lbs. depending on configuration (see chart)
- **Origin:** Made in the U.S.A.
- **A&E Specifications:** The rackmount shelf shall consist of Lowell vented base model KSB14 and sides model \_\_\_\_\_ (ordered separately). The shelf shall be 16-gauge certified U.S. steel with smooth black powder epoxy finish. When assembled, the shelf shall measure \_\_\_\_\_ (2, 3, 4) rack units and have overall depth of 14". Load capacity shall be \_\_\_\_\_ (50 lbs., 70 lbs.). The shelf shall be manufactured in the U.S. A.



Order sides separately for complete rackmount shelf.

### OPTIONS

- **KTSB:** Clamping bracket secures equipment at the top. Includes mounting hardware.

### Model summary

#### BASE

Model No.	Description	Depth	Width
KSB14	Base for KS series rack shelf	14"	17.50"

#### SIDES (REQUIRED) - ordered separately

Model No.	Description	Depth	Width	RU
KSE2	Sides (1 pr) for KS series rack shelf	14"	.88"	2U
KSE3	Sides (1 pr) for KS series rack shelf	14"	.88"	3U
KSE4	Sides (1 pr) for KS series rack shelf	14"	.88"	4U

#### ASSEMBLED SHELF (field assembly required)

Width (base + sides)	Load Capacity (base + sides)
19"W	50 lbs
19"W	70 lbs
19"W	70 lbs

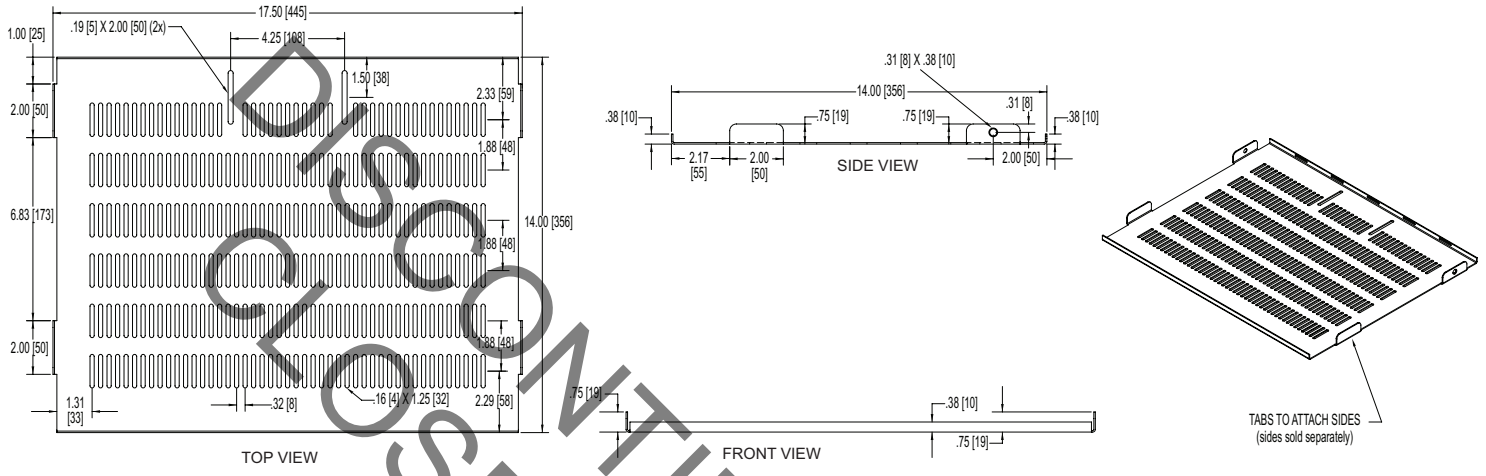
#### OPTIONAL

KSTB	Clamping bracket to help secure equipment to KS series shelf
------	--

Dimension = inches; 1U = 1.75"

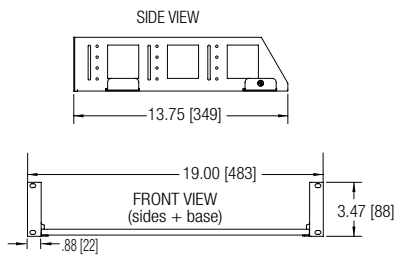
**SIDES REQUIRED**  
 (ORDER SEPARATELY)  
 see available options below

Model KSB14

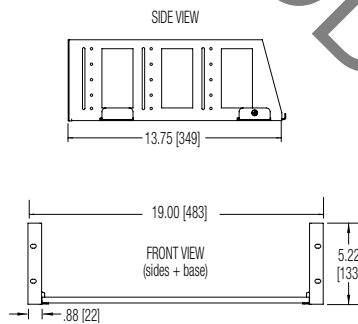


**SIDES (ordered separately)**

Model KSE2



Model KSE3



Model KSE3

