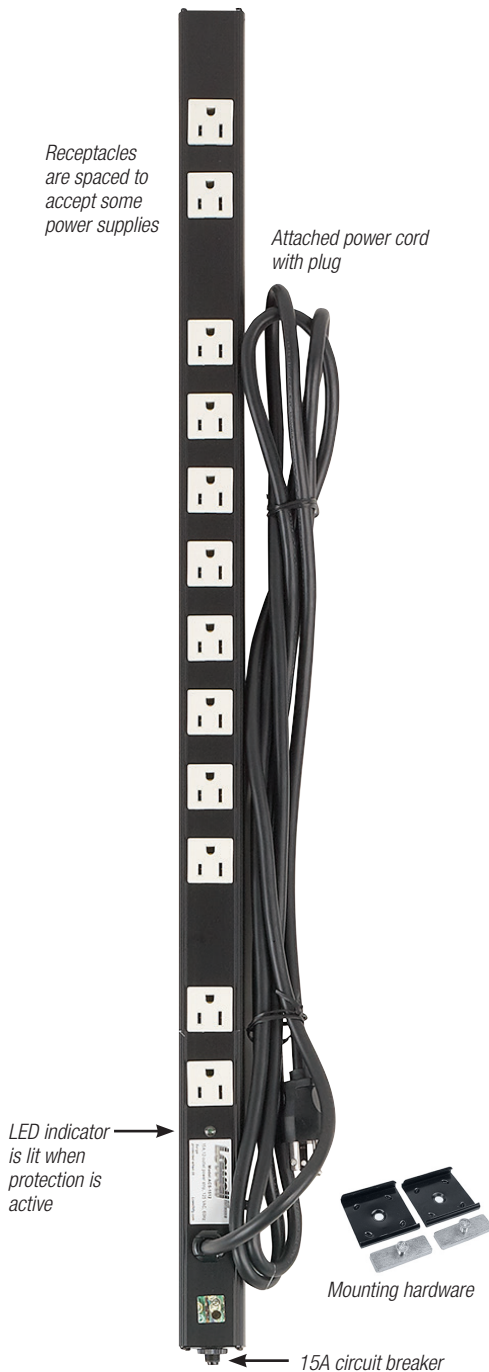


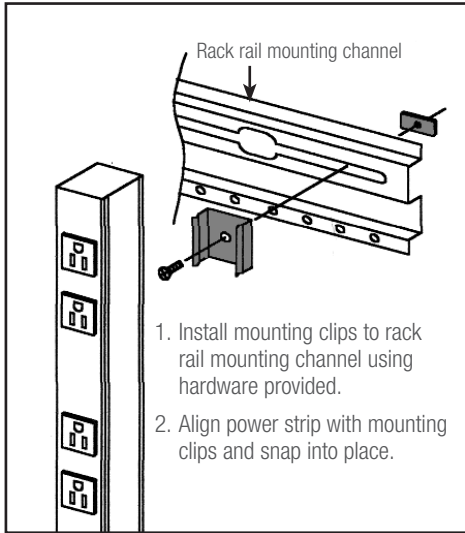
The 32" power strip provides twelve NEMA 15A receptacles in a low profile chassis. It includes surge suppression with LED status indicator.

FEATURES:

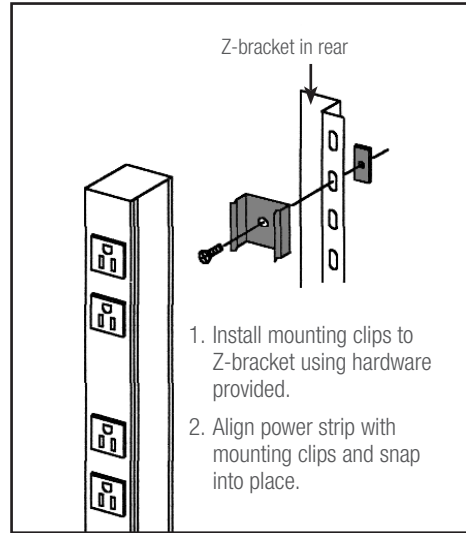
- **Power Rating:** 120VAC, 60Hz, 15A
- **Chassis:** 32" x 1.625" x 1.375" steel chassis with black powder epoxy finish
- **Termination:** 12-ft. attached (non-removable) power cord with NEMA 5-15P molded plug
- **Receptacles:** Total of twelve (12) single NEMA 5-15R receptacles, spaced to allow room for some power supplies.
- **Surge Suppression:** Common mode transient voltage surge suppression (UL 1449-3 Listed) with 15A circuit breaker:
 - LED indicator: Lit when protection is active
 - Maximum surge current: 6500A (L-G, L-N, N-G)
 - Maximum surge voltage: 6000V
 - Suppressed voltage rating: 400V
 - Energy dissipation: 450 Joules (8 x 20us waveform)
 - Lines protected: L-G, L-N, N-G
 - Response time: Less than one (1) nanosecond
 - Noise filtering: EMI / RFI
- **Mounting Hardware:** Mounting clips and screws provided for vertical installation in a rack that has adjustable or fixed rails. Includes cable ties to secure power supplies when the strip is mounted vertically.
- **Certification:** UL Listed
- **Origin:** China
- **A&E Specifications:** The UL Listed power strip shall be Lowell model ACS-1512, which shall have a power rating of 120VAC, 60Hz, 15A and include a circuit breaker. It shall feature twelve NEMA 5-15R receptacles with some space to accommodate power supplies. It shall also include common mode transient voltage surge suppression with LED indicator that is lit when protection is active. It shall have a suppressed voltage rating of 400V with maximum surge voltage of 6000V and maximum surge current of 6500A. It shall be terminated with an attached 12-foot cord and molded plug. The power strip shall include a mounting clip, screw, and cable ties.



INSTALLATION: Use the mounting clips and hardware to mount to a rack.



Rack with adjustable rails



Rack with fixed rails and Z-bracket

ACS Series Power Strips (overview)

| Model No. | Power Rating | NEMA Receptacles | Circuits | Chassis Length | Chassis Profile | Termination | On/Off Switch | Surge Suppression | Remote Power Control | Mounting Aids | Country of Origin |
|---------------------|--------------|--------------------|----------|----------------|-----------------|-----------------------|---------------|-------------------|----------------------|---------------|-------------------|
| ACS-1505-SW | 15A | 5 (15A) | 1 | 12" | Standard | 6' Det. cord | Yes | --- | --- | Brackets | U.S. |
| ACS-1505-SW-SD | 15A | 5 (15A) | 1 | 12" | Standard | 6' Det. cord | Yes | 2-stage | --- | Brackets | U.S. |
| ACS-1506 | 15A | 6 (15A) | 1 | 20" | Low | 6' Fixed cord | --- | 1-stage | --- | Clips | China |
| ACS-1506-WW | 15A | 6 (15A) | 1 | 12" | Low | 6' Fixed cord | --- | --- | --- | Screws | U.S. |
| ACS-1507 | 15A | 7 (15A) | 1 | 12" | Low | 6' Det. cord | --- | --- | --- | Screws | U.S. |
| ACS-1512 | 15A | 12 (15A) | 1 | 32" | Low | 12' Fixed cord | --- | 1-stage | --- | Clips | China |
| ACS-1524 | 15A | 24 (15A) | 1 | 60" | Low | 12' Fixed cord | --- | 1-stage | --- | Clips | China |
| ACS-1524-2C | 15A | 24 (15A) | 2 | 70" | Low | Pigtail leads | --- | --- | --- | Clips | China |
| ACS-2012 | 20A | 8 (15A) + 4 (20A) | 1 | 32" | Low | 12' Fixed cord | --- | 1-stage | --- | Clips | China |
| ACS-2024 | 20A | 16 (15A) + 8 (20A) | 1 | 70" | Low | 12' Fixed cord | --- | 1-stage | --- | Clips | China |
| ACS-2014-HW | 20A | 14 (20A) | 1 | 30" | Standard | 6' Conduit | --- | --- | --- | Brackets | U.S. |
| ACS-2014-2C-HW | 20A | 8 (15A) + 6 (20A) | 2 | 30" | Standard | 6' Conduit | --- | --- | --- | Brackets | U.S. |
| ACS-2020-6C-HW | 20A | 20 (20A) | 6 | 60" | Standard | 6' Conduit | --- | --- | --- | Brackets | U.S. |
| ACS-2020-IG-6C-HW | 20A | 20 (I.G. 20A) | 6 | 60" | Standard | 6' Conduit | --- | --- | --- | Brackets | U.S. |
| ACS-2020-IG-10C-HW | 20A | 20 (I.G. 20A) | 10 | 60" | Standard | 6' Conduit | --- | --- | --- | Brackets | U.S. |
| ACS-2024-2C | 20A | 24 (20A) | 2 | 70" | Low | Pigtail leads | --- | --- | --- | Clips | China |
| ACS-1510-RPC | 15A | 10 (15A) | 1 | 30" | Standard | 6' Det. cord | --- | --- | Yes | Brackets | U.S. |
| ACS-2010-RPC-HW | 20A | 10 (20A) | 1 | 30" | Standard | 6' Conduit | --- | --- | Yes | Brackets | U.S. |
| ACS-2018-5C-RPC-HW | 20A | 18 (20A) | 5 | 60" | Standard | 6' Conduit | --- | --- | Yes | Brackets | U.S. |
| ACS-2018-5C-RPCP-HW | 20A | 18 (20A) | 5 | 60" | Standard | 6' Conduit | --- | 1-stage | Yes (P) | Brackets | U.S. |

This spec

Chassis Profile = Standard profile (2" x 2"), Low profile (1.625" x 1.375")

Termination = Det. cord (detachable cord), Fixed cord (cord is attached—cannot be removed), Conduit (non-metallic flexible whip w/pigtail leads), Pigtail leads (leads at ends of chassis—no whip)

Switch = Yes (On/off rocker switch)

Surge Suppression = 1-stage (basic surge protection), 2-stage (surge protection with backup)

Remote Power Control = Some receptacles are controlled by a remote switch or sequencer (ordered separately); (P) indicates compatibility with Lowell P-Series pass-through sequencers.

Mounting Aids = Brackets (multi-hole brackets with hardware), Clips (clips and screws with wire tires), or Screws (power strips can mount to rear of US or USV Series shelves).

