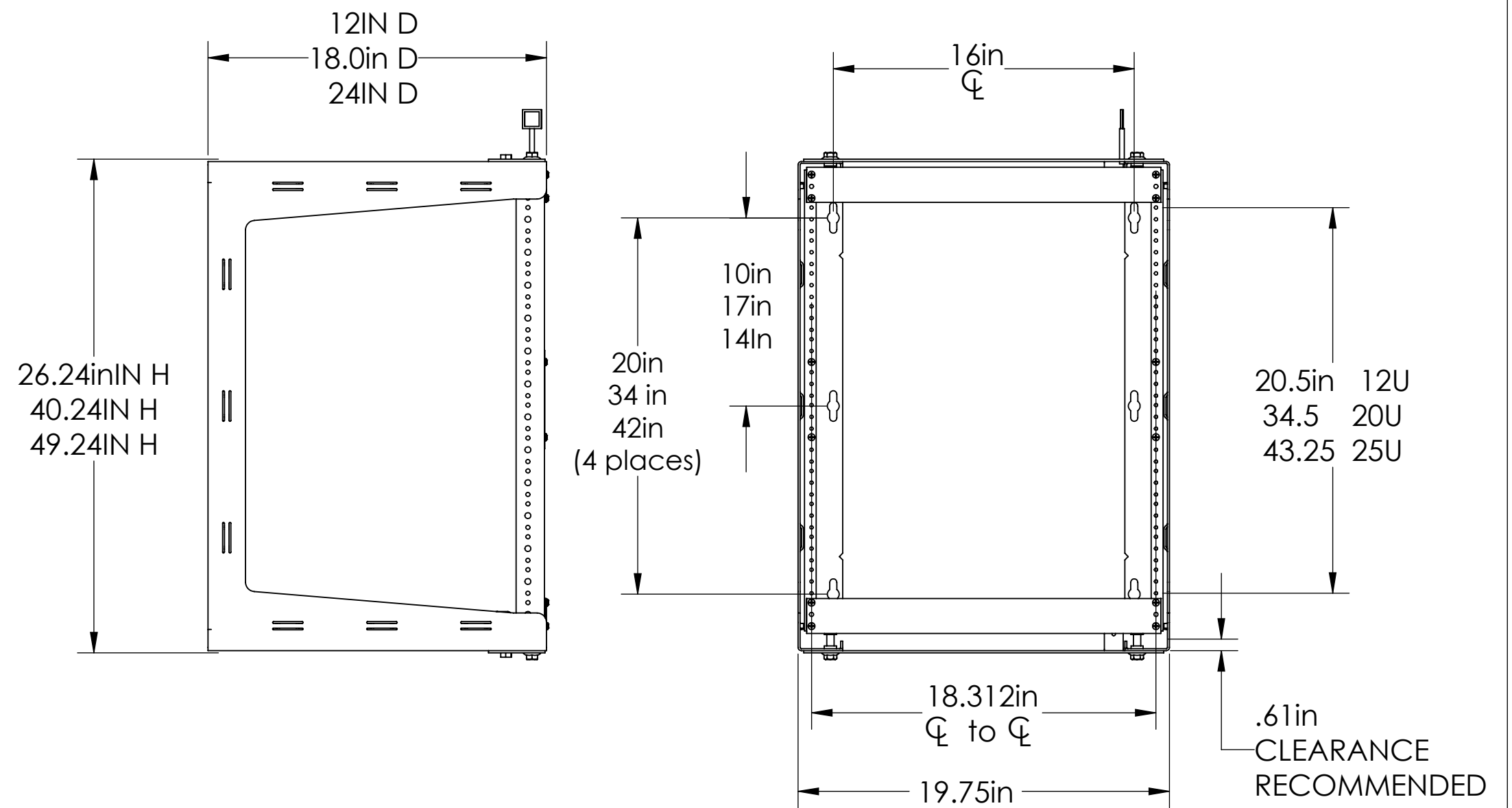
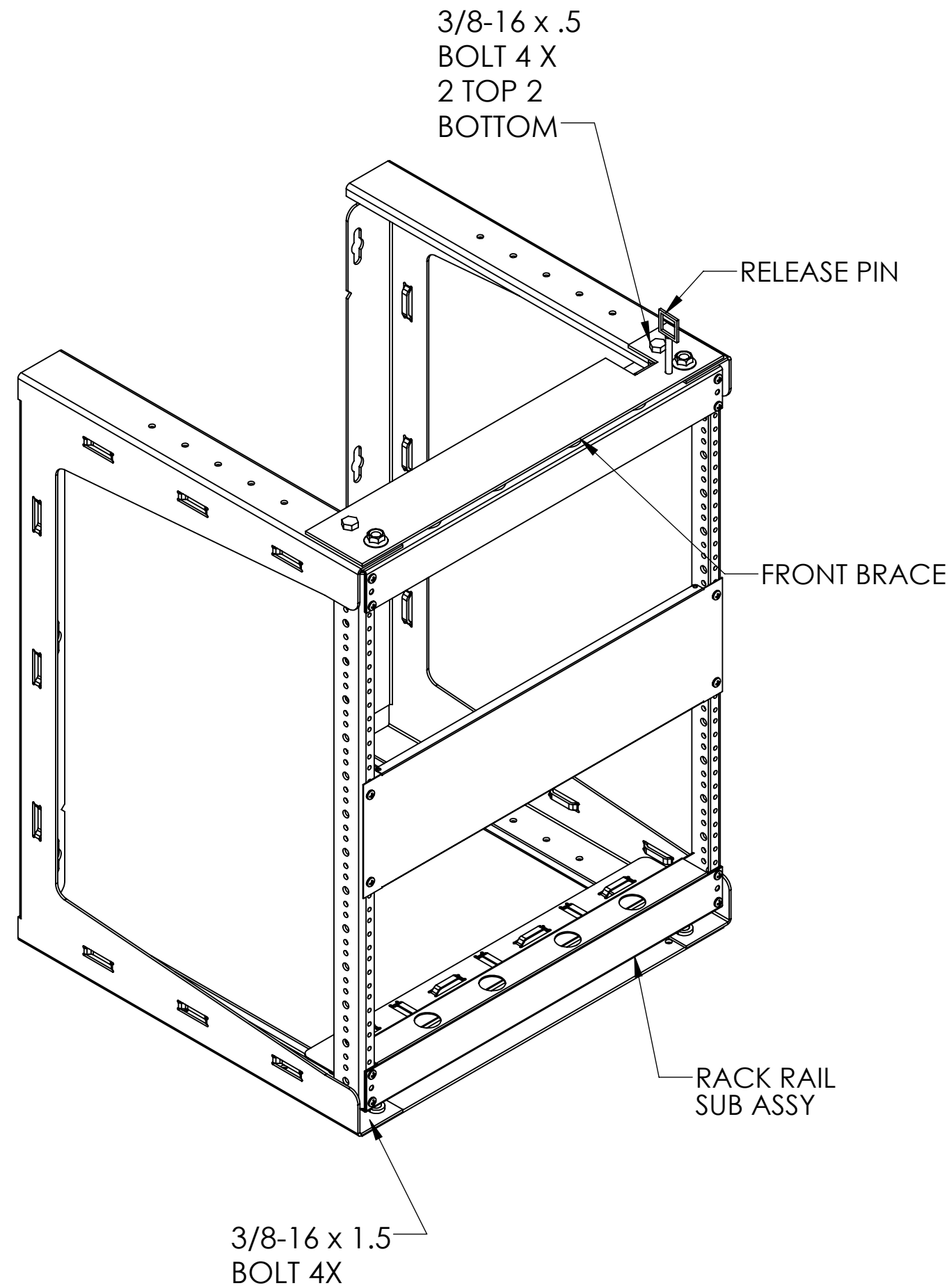
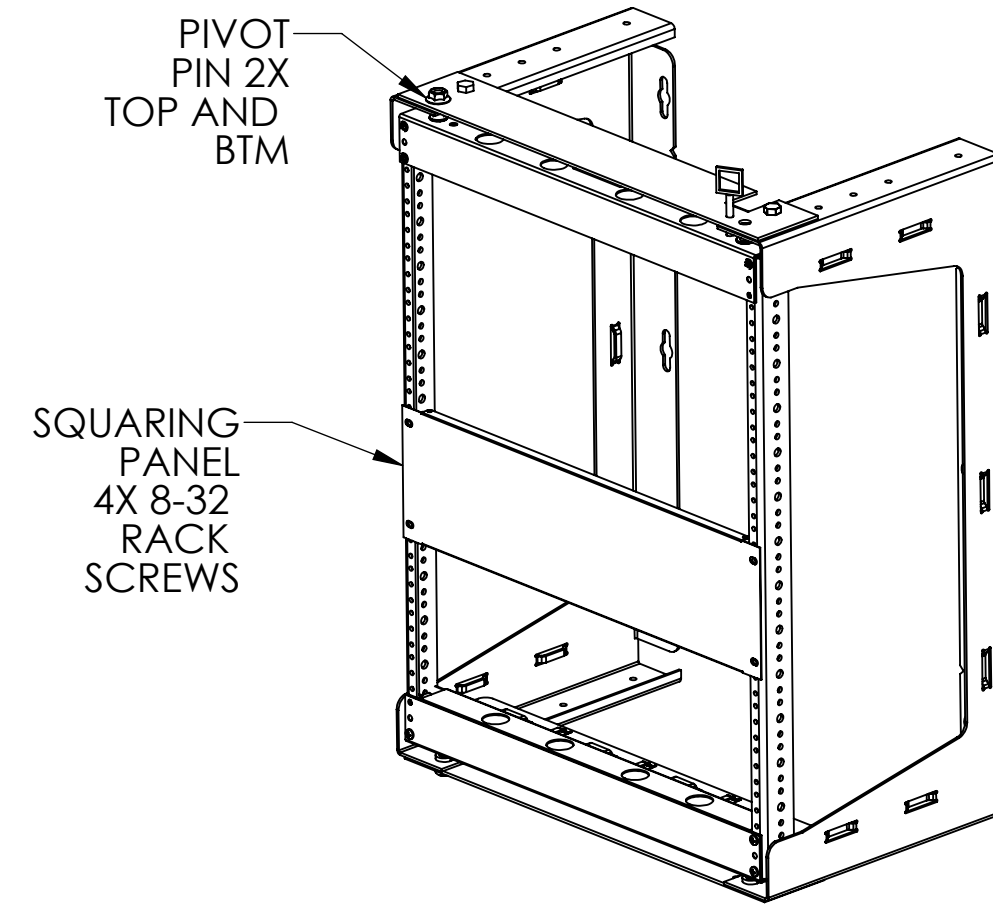


SR SERIES INSTRUCTION

1. DETERMINE SWING OF THE RACK PRIOR TO INSTALLATION
2. SECURE SWING SIDE FRAME TO WALL USING TOP KEYHOLE
3. LEVEL MOUNTED FRAME AND SECURE, INSTALL HARDWARE IN BOTTOM MOUNTING HOLE, THEN THE CENTER **DO NOT OVER TIGHTEN**
4. SECURE THE OPEN FRAME TO WALL USING TOP KEYHOLE
5. LEVEL MOUNTED FRAME AND SECURE, USING REMAINING KEYHOLES
6. SQUARE FRAME
7. INSTALL TOP BRACE TO FRAME USING 2 .5IN BOLTS, REPEAT ON BOTTOM
8. INSTALL RACK RAIL ASSY TO FRAME USING PIVOT BOLTS. **DO NOT OVER TIGHTEN**
9. INSTALL RELEASE PINS TOP & BOTTOM
10. SECURE RACK INSTALLING (2) 1.5 IN BOLTS



The Swing-rack wall rack is designed for your smaller network applications. it can hold weights up to 100 lbs... and easily installs to wall surfaces and backboards. The swing rack capability allows for easy maintenance and change of equipment.

- 10-32 mounting hardware include
- holes tapped 10-32
- 12 GA crs CONSTRUCTION
- opens 180 DEG right or left
- ships un assembled

NOTE: All hardware is to be supplied by the customer unless otherwise specified

21676

Lowell HEARD EVERYWHERE
TITLE: **INSTALLATION INSTRUCTIONS SWING RACK WALL MOUNT**

PROPRIETARY AND CONFIDENTIAL
THE INFORMATION CONTAINED IN THIS DRAWING IS THE SOLE PROPERTY OF LOWELL MFG. ANY REPRODUCTION IN PART OR AS A WHOLE WITHOUT THE WRITTEN PERMISSION OF LOWELL MFG IS PROHIBITED.