

This space-saving utility shelf keeps work areas clear by moving computer towers off the desktop and into their own space without relegating them to the floor. The WMS-CPU-8 mounts to a wall or desk, placing the CPU out of the way, while allowing computer drives and ports to remain readily accessible. This heavy duty utility shelf can also be used for a UPS or similar equipment.

### FEATURES:

- **Overall Width:** 19.09"
- **Overall Height:** 10.00"
- **Overall Depth:** 8.00"
- **Construction:**
  - 14-gauge certified U.S. steel
  - Smooth black powder epoxy finish
  - Keyhole mounting slots on 16" centers
  - Side slots for strap
- **Installation Aids:**
  - Includes 50"L hook and loop strap that can be fed through side slots to help secure equipment in place.
- **Load Capacity:** 75 lbs.
- **Country of Origin:** Made in U.S.A.

### A&E SPECIFICATIONS:

The wall- or desk-mount utility shelf shall be Lowell model WMS-CPU-8. Construction shall be 14-gauge certified U.S. steel with smooth black powder epoxy finish and overall dimensions of 10"H x 19.09"W x 8"D. It shall feature keyhole mounting slots on 16" centers and include a 50" hook and loop fastening strap to help secure equipment in place. The shelf shall be made in the U.S.A.



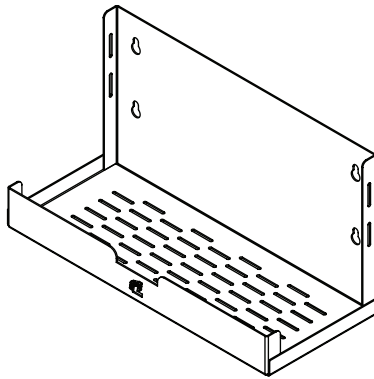
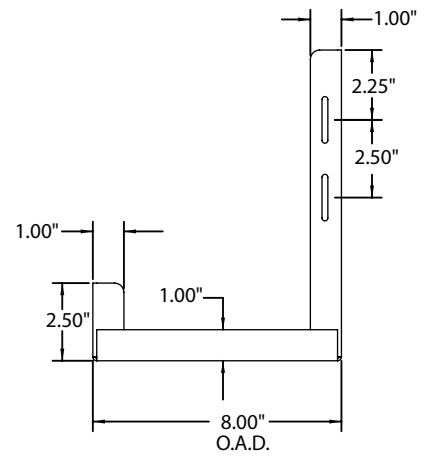
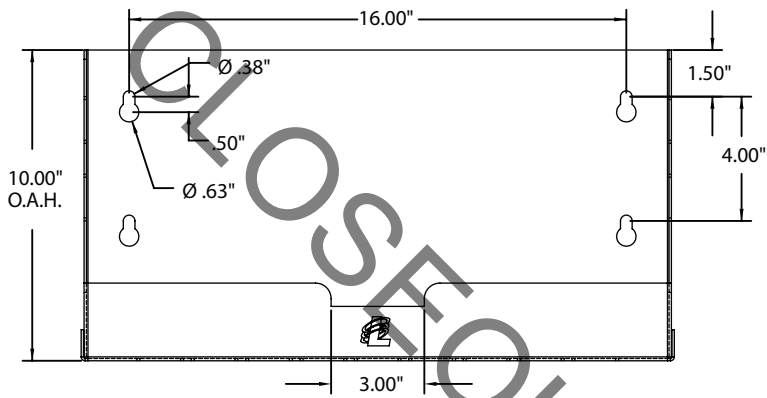
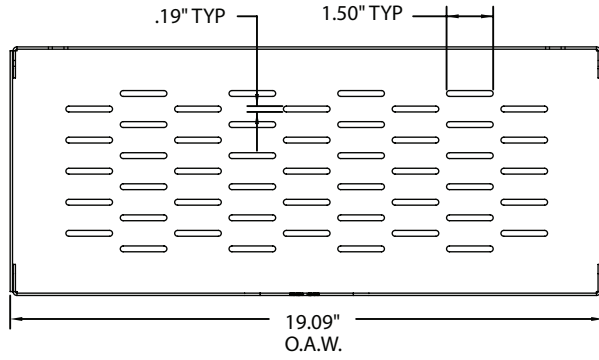
Computer drives and ports remain readily accessible while the CPU is off the desktop and above the floor.

### WMS-CPU Series Summary

Model No.	Overall Height	Overall Width	Overall Depth	Load Capacity	Strap
WMS-CPU-4	10.00" [254]	19.09" [485]	4.00" [102]	75 lbs. [34 kg]	50" [1270]
<b>WMS-CPU-8</b>	<b>10.00" [254]</b>	<b>19.09" [485]</b>	<b>8.00" [203]</b>	<b>75 lbs. [34 kg]</b>	<b>50" [1270]</b>

Inches [mm]  
Lbs. [kg]





DRAFT MODEL

