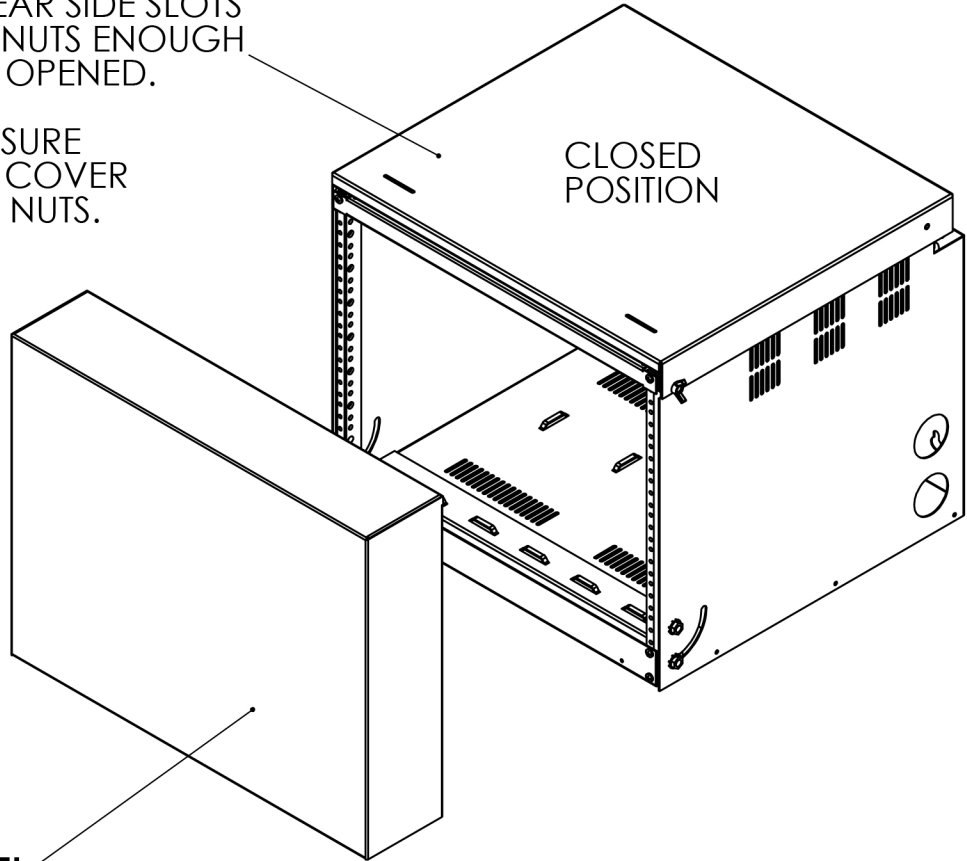


PFR SERIES OPTIONS INSTALL SHEET

STEP 1 INSTALLING TOP COVER

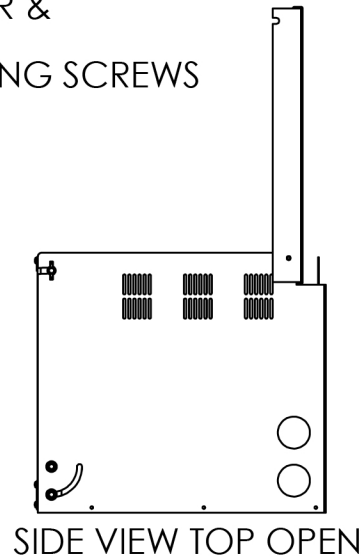
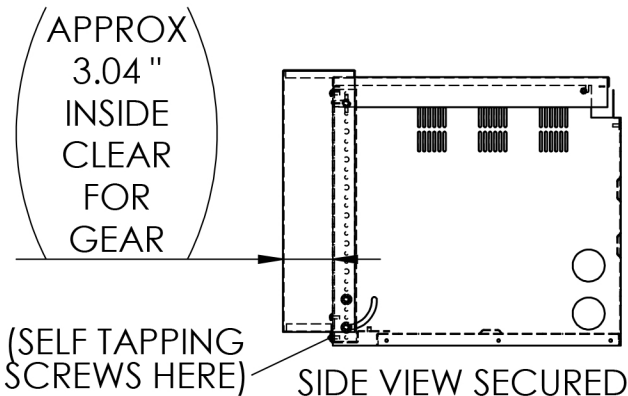
INSTALL TOP COVER BY DROPPING STUDS IN COVER INTO REAR SIDE SLOTS OF PFR FRAME. TIGHTEN NUTS ENOUGH SO COVER CAN STILL BE OPENED.

LOWER COVER & MAKE SURE FORWARD SLOTS IN TOP COVER ALIGN UNDER THE WING NUTS.



STEP 2 INSTALL FRONT PANEL

NOTE: TOP COVER MUST BE IN CLOSED POSITION TO INSTALL FRONT PANEL
 REPLACE WING NUTS WITH STD. NUTS ON PFR FRAME
 NEXT, SLIDE DOOR DOWN INTO SLOTS ON TOP COVER & OVER FRONT OF PFR FRAME.
 LAST, SECURE PANEL ON BOTTOM WITH (2) SELF TAPPING SCREWS



P/N 21547 6-13-16