



### features

- Description:** Horizontal-mount panel with D-rings for 19 inch racks provides solutions for organizing cable in telecommunications, audio visual, and broadcast applications. Includes D-rings on panel ends for vertical cable management in open frame data racks (Lowell LRR Series).
- Construction:** 16-gauge steel panel with black powder epoxy finish. D-rings are formed from 0.125" cold-rolled steel and welded for stability of medium to large cable bundles.
- Cable Management:** D-rings for horizontal cable management measure 3.25"H x 3.75"D. D-rings for vertical cable management extend past the panel's 19 inch width.
- Origin:** Made in the USA

### a&e specifications

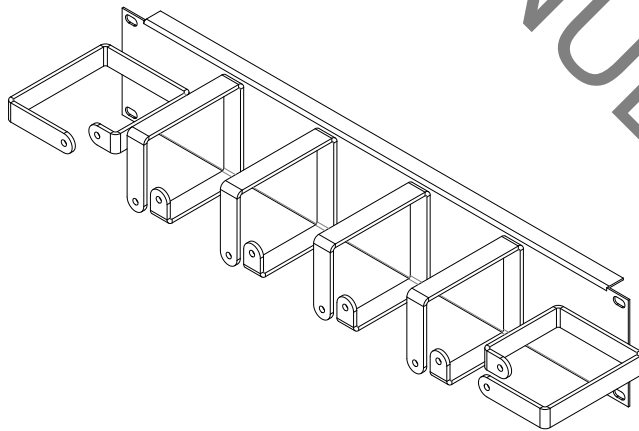
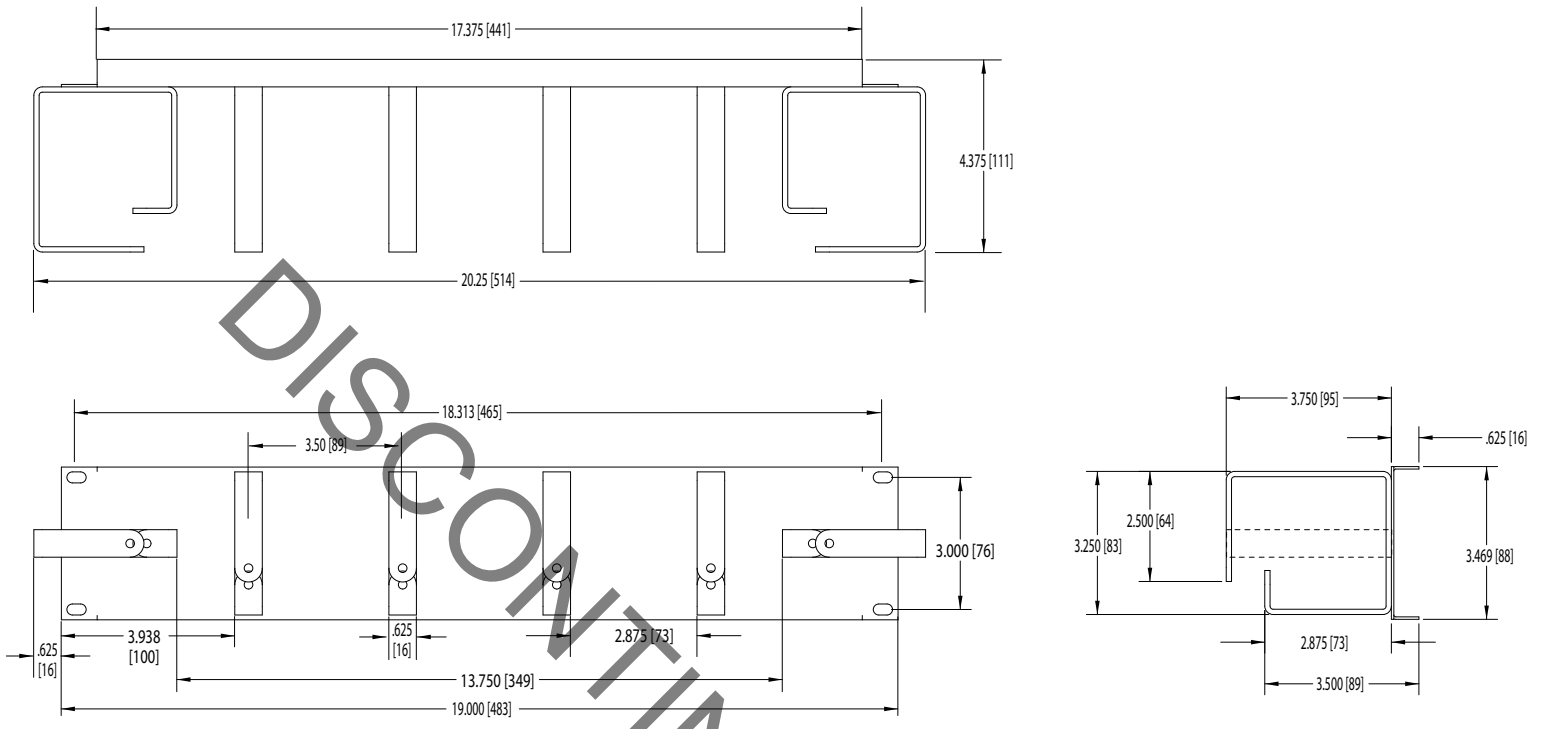
The cable management panel with D-rings shall be Lowell Model CMD-2HV, which shall be formed from 16-gauge steel with a black powder epoxy finish. It shall measure 19 inches wide by 2 rack units. The panel shall include welded D-rings for horizontal and vertical cable management. D-rings on ends extend past the 19 inch panel's width.

### Model Summary

Model No.	Description	Panel Width	Rack Units	D-Rings on Panel	D-Rings on Ends	Panel Width w/D-rings	Unit of Sale
CMD-1H	Cable manager with D-rings	19 in / 483 mm	1	5	---	19 in / 483 mm	each
CMD-2H	Cable manager with D-rings	19 in / 483 mm	2	5	---	19 in / 483 mm	each
CMD-1HV	Cable manager with D-rings + end D-rings	19+ in / 483+ mm	1	4	2	20.25 in / 514 mm	each
▶ CMD-2HV	Cable manager with D-rings + end D-rings	19+ in / 483+ mm	2	4	2	20.25 in / 514 mm	each
CMD-2V	Single D-ring on bracket		2	---	---	---	each

One rack unit (RU or U) = 1.75 inches or 44.45 mm.





DISCONTINUED MODEL

