



Rear view



Single pole single throw, low voltage switch with MOMENTARY closure, for applications that use multiple switches. The switch is connected to a remote power control or sequencer (ordered separately) to activate equipment.

FEATURES

- **Closure:** Momentary closure
- **Activation:** KEY switch
- **Two Status Indicators:** GREEN=ON; RED=OFF.

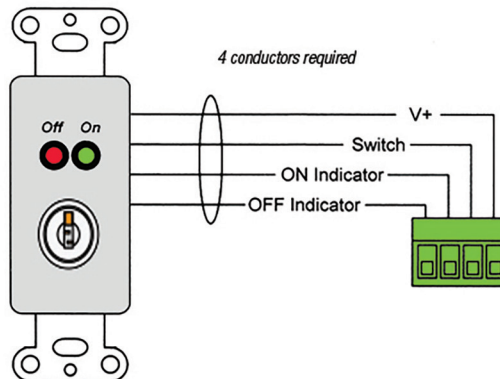
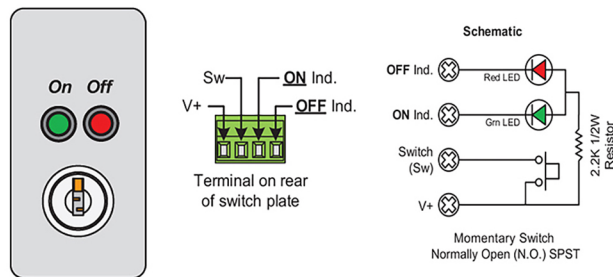
When used with a rackmount sequencer—the green LED will flash when the unit is powering up and light steadily when on; the red LED will flash when the unit is powering down and light steadily when the unit is off but receiving power (indicating it's ready to operate).

- **Connections:** Rear connections are termination strips with wire capacity to 18 gauge.
- **Rackmount Panel:** The switch with black sub-plate is mounted in a 1U x 19"W rackmount panel, steel with black powder epoxy finish.
- **A&E Specifications:** The low voltage switch for remote activation of equipment shall be Lowell Model RPSB2-MKR, which shall operate in conjunction with a remote power control or sequencer (ordered separately). The switch shall feature momentary closure, rear connection termination strips with wire capacity to 18-gauge, two LED status indicators, and a key activation switch. It shall be mounted in a 1U x 19"W steel rackmount panel with black powder epoxy finish.

This switch requires 4 conductors and is compatible with the following Lowell models (order separately):

| | |
|------------------|-------------------------|
| ACR-RPC-1508-SD | Rackmount panel w/RPC |
| ACR-SEQ4-1509 | Rackmount panel w/SEQ |
| ACR-SEQ6-2009 | Rackmount panel w/SEQ |
| ACSPR-RPC1-1509 | Rackmount panel w/RPC |
| ACSPR-RPC1-1509K | Rackmount panel w/RPC |
| ACSPR-RPC1-2009 | Rackmount panel w/RPC |
| ACSPR-SEQ4-1509 | Rackmount panel w/SEQ |
| ACSPR-SEQ4-1509K | Rackmount panel w/SEQ |
| ACSPR-SEQ6-2009 | Rackmount panel w/SEQ |
| MSM2 | Momentary switch module |
| SEQR-8 | Sequencer |
| SEQR-8K | Sequencer |

TYPICAL WIRING

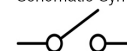


Maximum wire distances:
 24-gauge: 20,000 ft. (approx. 3.5 miles)
 22-gauge: 31,200 ft. (approx. 5.5 miles)
 18-gauge: 76,800 ft. (approx. 13.5 miles)

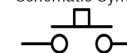
Understanding MAINTAINED vs. MOMENTARY Switches:

- Maintained Switch:** A switch with maintained closure stays in the position you select. When you turn it on, it stays on until you turn it off, and vice versa. An example would be a switch used for a ceiling light, which stays on until you flip the switch to the off position. Specify a maintained switch for applications that use only one switch to control the equipment.
- Momentary Switch:** A switch with momentary closure operates only as long as you press or hold it; the switch returns to its original position as soon as you stop. An example would be a switch for a doorbell, which continues to ring only while you press the switch. Specify momentary switches for applications that utilize more than one switch to control the equipment.

Maintained Switch
Schematic Symbol:



Momentary Switch
Schematic Symbol:



LOWELL RPSB- AND RPSW- SERIES OVERVIEW

| Model No. | Closure | Activation | Mounting Style | Color | LED Indicators | RJ45 Connector |
|------------------|-------------------------|------------|----------------------------|--------------|----------------|----------------|
| RPSB-P | Maintained | Rocker | Wall Plate | Black | 1 | ----- |
| RPSB-P-RJ | Maintained | Rocker | Wall Plate | Black | 1 | 1 |
| RPSW-KP | Maintained | Key | Wall Plate | White | 1 | ----- |
| RPSW-KP-RJ | Maintained | Key | Wall Plate | White | 1 | 1 |
| RPSW-P | Maintained | Rocker | Wall Plate | White | 1 | ----- |
| RPSW-P-RJ | Maintained | Rocker | Wall Plate | White | 1 | 1 |
| RPSB-KP-ASM | Maintained | Key | Wall Plate | Black | 1 | ----- |
| RPSB-KR | Maintained | Key | 19" Rackmount Panel | Black | 1 | ----- |
| RPSB-KR-RJ | Maintained | Key | 19" Rackmount Panel | Black | 1 | 1 |
| RPSB-R | Maintained | Rocker | 19" Rackmount Panel | Black | 1 | ----- |
| RPSB-R-RJ | Maintained | Rocker | 19" Rackmount Panel | Black | 1 | 1 |
| RPSB-MKP | <i>Momentary</i> | Key | Wall Plate | Black | 1 | ----- |
| RPSB-MP | <i>Momentary</i> | Rocker | Wall Plate | Black | 1 | ----- |
| RPSW-MKP | <i>Momentary</i> | Key | Wall Plate | White | 1 | ----- |
| RPSW-MP | <i>Momentary</i> | Rocker | Wall Plate | White | 1 | ----- |
| RPSB2-MKP | <i>Momentary</i> | Key | Wall Plate | Black | 2 | ----- |
| RPSB2-MKP-RJ | <i>Momentary</i> | Key | Wall Plate | Black | 2 | 1 |
| RPSB2-MP | <i>Momentary</i> | Rocker | Wall Plate | Black | 2 | ----- |
| RPSB2-MP-RJ | <i>Momentary</i> | Rocker | Wall Plate | Black | 2 | 1 |
| RPSW2-MKP | <i>Momentary</i> | Key | Wall Plate | White | 2 | ----- |
| RPSW2-MKP-RJ | <i>Momentary</i> | Key | Wall Plate | White | 2 | 1 |
| RPSW2-MP | <i>Momentary</i> | Rocker | Wall Plate | White | 2 | ----- |
| RPSW2-MP-RJ | <i>Momentary</i> | Rocker | Wall Plate | White | 2 | 1 |
| RPSB2-MKR | <i>Momentary</i> | Key | 19" Rackmount Panel | Black | 2 | ----- |
| RPSB2-MKR-RJ | <i>Momentary</i> | Key | 19" Rackmount Panel | Black | 2 | 1 |
| RPSB2-MR | <i>Momentary</i> | Rocker | 19" Rackmount Panel | Black | 2 | ----- |
| RPSB2-MR-RJ | <i>Momentary</i> | Rocker | 19" Rackmount Panel | Black | 2 | 1 |
| RPSB-MKR | <i>Momentary</i> | Key | 19" Rackmount Panel | Black | 1 | ----- |
| RPSB-MR | <i>Momentary</i> | Rocker | 19" Rackmount Panel | Black | 1 | ----- |

