

Single pole single throw, low voltage switch with MOMENTARY closure, for applications that use multiple switches. The switch is connected to a remote power control or sequencer (ordered separately) to activate equipment.



Rear view

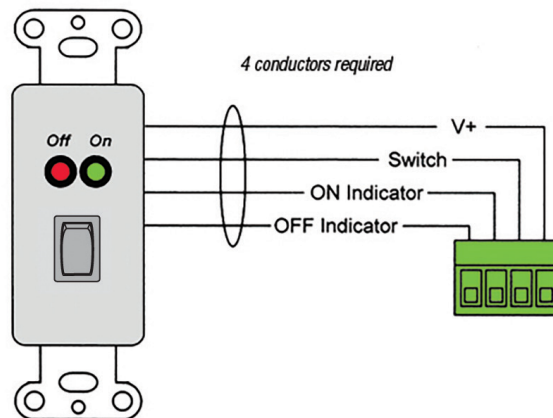
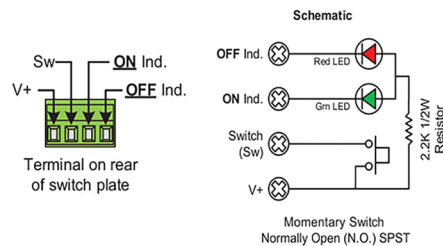
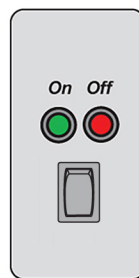
### FEATURES

- **Closure:** Momentary closure
- **Activation:** Rocker switch
- **Two Status Indicators:** GREEN=ON; RED=OFF.  
When used with a rackmount sequencer—the green LED will flash when the unit is powering up and light steadily when on; the red LED will flash when the unit is powering down and light steadily when the unit is off but receiving power (indicating it's ready to operate).
- **Connections:** Rear connections are termination strips with wire capacity to 18 gauge.
- **Wall Plate:** Includes 1-gang decorator style wall plate (black plate/sub-plate).
  - The sub-plate can also be mounted in a 19" rackmount panel with suitable openings, in which case the outer plate would not be used. See Lowell panels D3P-ID-1, D3P-ID-2, D8P-ID-3, D9P-ID-3.
  - The sub-plate can also be used in multi-gang decorator style wall plates (by others), in which case the outer plate would not be used.
- **A&E Specifications:** The low voltage switch for remote activation of equipment shall be Lowell Model RPSB2-MP, which shall operate in conjunction with a remote power control or sequencer (ordered separately). The switch shall feature momentary closure, rear connection termination strips with wire capacity to 18-gauge, black one-gang decorator style wall plate with two LED status indicators, and rocker activation switch.

This switch requires 4 conductors and is compatible with the following Lowell models (order separately):

ACR-RPC-1508-SD	Rackmount panel w/RPC
ACR-SEQ4-1509	Rackmount panel w/SEQ
ACR-SEQ6-2009	Rackmount panel w/SEQ
ACSPR-RPC1-1509	Rackmount panel w/RPC
ACSPR-RPC1-1509K	Rackmount panel w/RPC
ACSPR-RPC1-2009	Rackmount panel w/RPC
ACSPR-SEQ4-1509	Rackmount panel w/SEQ
ACSPR-SEQ4-1509K	Rackmount panel w/SEQ
ACSPR-SEQ6-2009	Rackmount panel w/SEQ
MSM2	Momentary switch module
SEQR-8	Sequencer
SEQR-8K	Sequencer

### TYPICAL WIRING



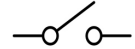
Maximum wire distances:  
 24-gauge: 20,000 ft. (approx. 3.5 miles)  
 22-gauge: 31,200 ft. (approx. 5.5 miles)  
 18-gauge: 76,800 ft. (approx. 13.5 miles)



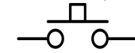
## Understanding MAINTAINED vs. MOMENTARY Switches:

- Maintained Switch:** A switch with maintained closure stays in the position you select. When you turn it on, it stays on until you turn it off, and vice versa. An example would be a switch used for a ceiling light, which stays on until you flip the switch to the off position. Specify a maintained switch for applications that use only one switch to control the equipment.
- Momentary Switch:** A switch with momentary closure operates only as long as you press or hold it; the switch returns to its original position as soon as you stop. An example would be a switch for a doorbell, which continues to ring only while you press the switch. Specify momentary switches for applications that utilize more than one switch to control the equipment.

Maintained Switch Schematic Symbol:



Momentary Switch Schematic Symbol:



## LOWELL RPSB- AND RPSW- SERIES OVERVIEW

Model No.	Closure	Activation	Mounting Style	Color	LED Indicators	RJ45 Connector
RPSB-P	Maintained	Rocker	Wall Plate	Black	1	-----
RPSB-P-RJ	Maintained	Rocker	Wall Plate	Black	1	1
RPSW-KP	Maintained	Key	Wall Plate	White	1	-----
RPSW-KP-RJ	Maintained	Key	Wall Plate	White	1	1
RPSW-P	Maintained	Rocker	Wall Plate	White	1	-----
RPSW-P-RJ	Maintained	Rocker	Wall Plate	White	1	1
RPSB-KP-ASM	Maintained	Key	Wall Plate	Black	1	-----
RPSB-KR	Maintained	Key	19" Rackmount Panel	Black	1	-----
RPSB-KR-RJ	Maintained	Key	19" Rackmount Panel	Black	1	1
RPSB-R	Maintained	Rocker	19" Rackmount Panel	Black	1	-----
RPSB-R-RJ	Maintained	Rocker	19" Rackmount Panel	Black	1	1
RPSB-MKP	<i>Momentary</i>	Key	Wall Plate	Black	1	-----
RPSB-MP	<i>Momentary</i>	Rocker	Wall Plate	Black	1	-----
RPSW-MKP	<i>Momentary</i>	Key	Wall Plate	White	1	-----
RPSW-MP	<i>Momentary</i>	Rocker	Wall Plate	White	1	-----
RPSB2-MKP	<i>Momentary</i>	Key	Wall Plate	Black	2	-----
RPSB2-MKP-RJ	<i>Momentary</i>	Key	Wall Plate	Black	2	1
<b>RPSB2-MP</b>	<b><i>Momentary</i></b>	<b>Rocker</b>	<b>Wall Plate</b>	<b>Black</b>	<b>2</b>	<b>-----</b>
RPSB2-MP-RJ	<i>Momentary</i>	Rocker	Wall Plate	Black	2	1
RPSW2-MKP	<i>Momentary</i>	Key	Wall Plate	White	2	-----
RPSW2-MKP-RJ	<i>Momentary</i>	Key	Wall Plate	White	2	1
RPSW2-MP	<i>Momentary</i>	Rocker	Wall Plate	White	2	-----
RPSW2-MP-RJ	<i>Momentary</i>	Rocker	Wall Plate	White	2	1
RPSB2-MKR	<i>Momentary</i>	Key	19" Rackmount Panel	Black	2	-----
RPSB2-MKR-RJ	<i>Momentary</i>	Key	19" Rackmount Panel	Black	2	1
RPSB2-MR	<i>Momentary</i>	Rocker	19" Rackmount Panel	Black	2	-----
RPSB2-MR-RJ	<i>Momentary</i>	Rocker	19" Rackmount Panel	Black	2	1
RPSB-MKR	<i>Momentary</i>	Key	19" Rackmount Panel	Black	1	-----
RPSB-MR	<i>Momentary</i>	Rocker	19" Rackmount Panel	Black	1	-----

