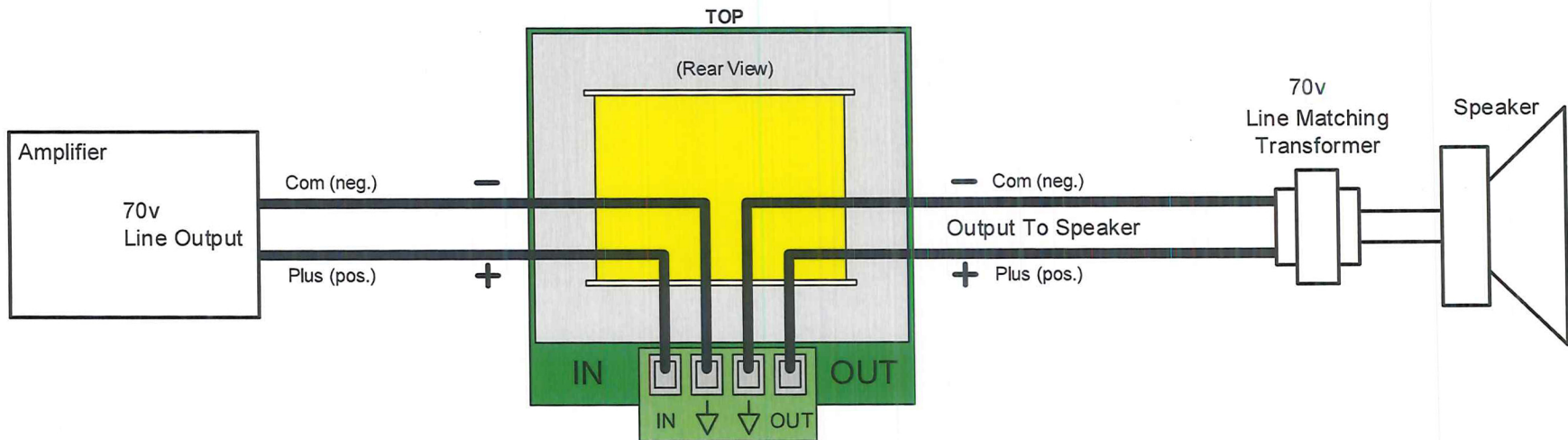


Lowell 200LVC Series Attenuator Wiring Instructions

ETL LISTED. Conforms to UL 60065 / UL 2043. Certified to CSA 22.2 #60065

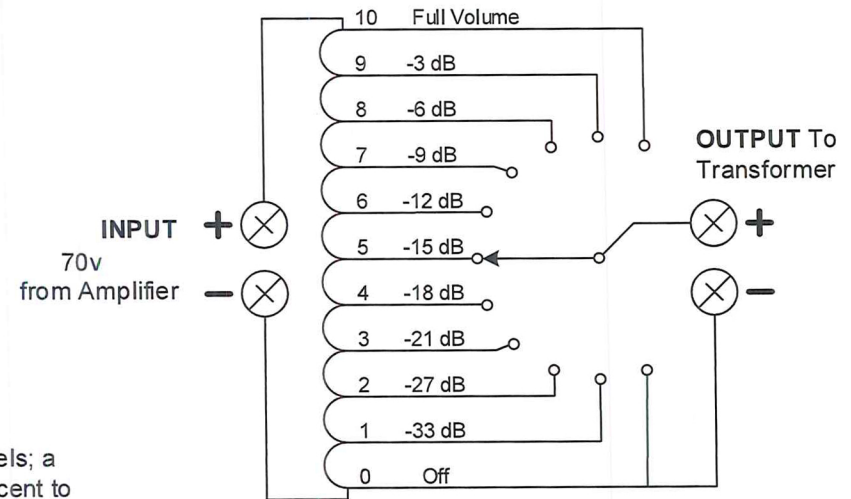
NOTE: Min. depth of EO box must be 2 1/2" including mud-ring (if used)



NOTE:

Units manufactured before 5/14 had terminals located at top. When connecting either version, be sure to observe INPUT / OUTPUT and polarity designations.

Model Number:	Description
200LVC	2-gang Stainless Steel Plate
200LVC-DSB	2G S/S plate, black Decorator subplate & knob, centered
200LVC-RM	No plate, includes dialscale for custom panels or LVC8P-ID-2*
200LVC-RMDB	Includes black Decorator subplate for D8P-ID-3 or D9P-ID-3 panels or multi-gang Decorator plates**



Schematic Diagram

* Two Units *cannot* be installed side by side on D8P-ID-3, D9P-ID-3, or LVC8P-ID-2 panels; a blank space must be left between them. However, smaller devices may be installed adjacent to the 200LVC (1 3/8" width max on D9P-ID-3, 1 5/8" width max on D8P-ID-3 and LVC8P-ID-2).

**If installed on multi-gang Decorator wall-plates a blank space may be required on one or both sides of the attenuator, depending on the size of the EO box and/or other devices on same plate.



Lowell Manufacturing Co. 100 Integram Dr. Pacific, MO USA 63069 lowellmfg.com 1-800-325-9660