

front door for Lowell host rack series specified below
see rack spec sheets



Solid

Smoked
Plexiglass



features

- **Description:** Reversible surface-mount front door for Lowell host racks can be mounted with left- or right-hand swing. For use with Lowell host rack series LHR.
- **Construction:**
 - Steel with black wrinkle powder epoxy finish
 - 21.75"W x 2.50"D
 - Swings open 180-degrees
 - Integral recessed handle
 - Keyed lock (keyed differently than rack rear door)
 - Made in the U.S.A. with certified U.S. steel
 - Two Styles: solid steel, or steel frame with smoked plexiglass insert.
- **Mounting:** Mounts left or right and extends 2.50" from rack frame, providing approximately 3.00" space to accommodate equipment knobs. Change orientation by moving two hinges and hinge nutserts on matching Lowell racks. Hinges install with 10-32 x 1" socket-head machine screws. Black plugs cover screws for finished appearance.
- **Optional:** (order separately)
 - **Extra Keys:** #LK-FD (2 keys)

a&e specifications

The host rack shall include a surface-mount front door, Lowell Model _____, which shall measure 21.75"W x 2.50"D x _____ rack units. Door construction shall be _____ (solid steel, steel frame with smoked plexiglass insert). The door shall extend 2.50" from the rack frame. It shall mount with left- or right-hand swing and feature an integral recessed handle and lock, keyed differently than the rear door.

LHR-FD series summary

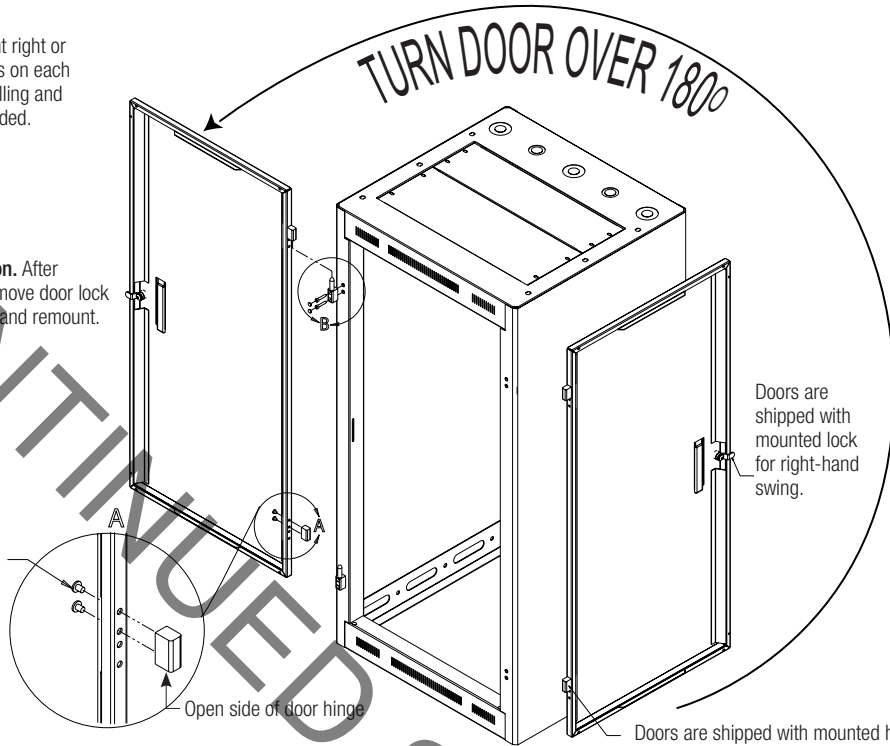
Rack Height	Front Door–Solid Steel Model No.	Front Door–Smoked Plexiglass Model No.
24U	LHR-FD24	LHR-FD24P
35U	LHR-FD35	LHR-FD35P
44U	LHR-FD44	LHR-FD44P



Changing from right to left swing: Doors mount right or left (with hinges relocated) to premounted nutserts on each side of the rack frame. This method eliminates drilling and allows doors to be installed after equipment is loaded.

Relocated lock Position. After inverting door 180°, remove door lock screws, turn lock 180° and remount.

(2) Phillips machine screws 10-32 x 1/2"



Open side of door hinge

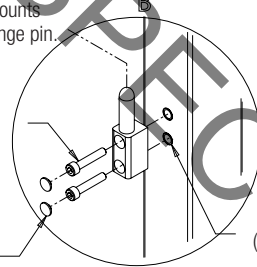
Doors are shipped with mounted hinges for right-hand swing.

Door hinge (part 1) relocated position.

After inverting door 180°, remove door hinge screws, turn hinges 180° and remount in the top two hole positions. This part of the hinge always mounts in the top two hole positions with the open side down to accept the hinge pin.

(2) Socket-head machine screws 10-32 x 1" (5/32" Allen wrench provided)

(2) Hole plugs to cover screws



(2) Nutserts (factory installed) on rackframe.

Door hinge pin (part 2) mounts to cabinet without drilling. The second part of the door hinge (pin) is always field installed to factory mounted nutserts. Nutserts are located on the front left and right of cabinet.